

INSTALLATION INSTRUCTIONS FUEL PRESSURE ISOLATOR

2650-1930-77



QUESTIONS:

If after completely reading these instructions you have questions regarding the operation or installation of your instrument(s), please contact AutoMeter Technical Service at 866-248-6357. You may also email us at service@autometer.com. Additional information can also be found at <http://www.autometer.com>

FILLING THE ISOLATOR AND LINE TO THE GAUGE:

1. With the fitting removed from the gauge side (opposite of the bleed screw side), you should be able to see a black rubber diaphragm within the isolator. This diaphragm will flex from gauge side to fuel side. Prior to filling the isolator, using the eraser end of a pencil, very carefully push the diaphragm so that it is "flexing" towards the fuel side.
2. While the isolator is lying on a flat surface with the gauge side facing up, completely fill the isolator using a 50/50 anti-freeze and water mixture. Attach the 7/16"-20 adaptor to the isolator, then using a small squeeze bottle, continue to fill the isolator and fitting, then cap off the adaptor.
3. The next step is to fill the braided line to the gauge (gauge and line not included). Using a #4 braided line (AutoMeter 3229 4' line is recommended) connect the line to your gauge, then using a squeeze bottle with a nozzle or a syringe, fill the line as it is attached to the gauge. For best results, you will want to hold the line with the gauge hanging like a pendulum. It is critical to proper operation that the line is completely filled with the anti-freeze and water mixture and devoid of any air bubbles or air pockets. Once the line is filled you can move on to installation.

Note: This is for 0-15 PSI carbureted applications **ONLY**. For fuel injected applications, see AutoMeter model 5282

Not for use with alcohol or nitromethane.

MOUNTING ISOLATOR & CONNECTING TO GAUGE

1. Isolator must be mounted in engine compartment. (**DO NOT mount on firewall per NHRA/IHRA rules.**) Drill two 1/8" dia. holes in desired location. Mount isolator mounting bracket using the bolts, lockwashers, and nuts provided. **Gauge and isolator should be mounted at the same height to insure accurate readings. If not mounted level with each other, the fluid weight will cause a slight accuracy error.**
2. Route the braided tubing into engine compartment.
3. With filled portion of isolator in upright position, remove dust plug. Pull braided tubing through center of isolator bracket and hold end in upright position. Remove dust plug and quickly thread braided tubing into isolator port (be careful not to spill any fluid).

NOTE: Fluid leaking from system will cause gauge to read incorrectly. If leakage occurs, fill isolator with solution of half water, half propylene glycol (antifreeze).

4. Secure fuel pressure isolator to mounting bracket using the lockwashers and nuts provided.

5. Determine most desirable location (in line between fuel pump and carburetor) to plumb into fuel system. Thread necessary adaptor fittings into fuel side of isolator.

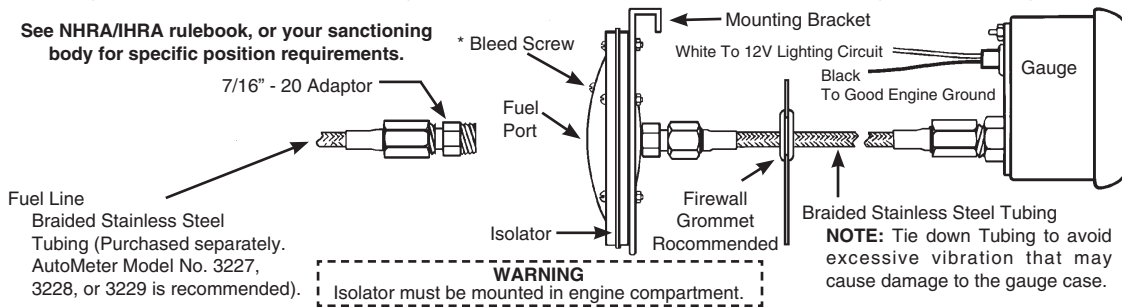
NOTE: Use thread sealant on all pipe threads to insure a leak free seal.

6. Tee isolator into vehicle's fuel system. We highly recommend that AutoMeter braided stainless steel tubing (Models 3227, 3228, or 3229) be used for this application.
7. With engine running, check to make sure gauge pointer moves in a smooth manner and reads the correct idling pressure.
8. Connect white light wire to dash lighting circuit or other 12V source. Connect black wire to good engine ground.

* Bleed Screw

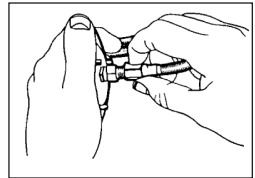
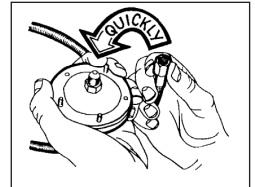
Should excess air in the fuel side of the isolator cause erratic gauge action, bleed excess air out by just loosening the bleed screw enough to allow air passage. Do not remove the bleed screw. Tighten screw when fuel trickles out.

See NHRA/IHRA rulebook, or your sanctioning body for specific position requirements.



IMPORTANT:

Gauge and isolator should be mounted at the same height to insure accurate readings. If not mounted level with each other, the fluid weight will cause a slight accuracy error.



SERVICE

For service send your product to AutoMeter in a well packed shipping carton. Please include a note explaining what the problem is along with your phone number. If you are sending product back for Warranty adjustment, you must include a copy (or original) of your sales receipt from the place of purchase.

12 MONTH LIMITED WARRANTY

AutoMeter Products, Inc. warrants to the consumer that all AutoMeter High Performance products purchased from an Authorized AutoMeter Reseller will be free from defects in material and workmanship for a period of twelve (12) months from date of the original purchase. Products that fail within this 12 month warranty period will be repaired or replaced at AutoMeter's option, when determined by AutoMeter that the product failed due to defects in material or workmanship. This warranty is limited to the repair or replacement of parts in the AutoMeter High Performance product and the necessary labor done by AutoMeter to effect the repair or replacement of the AutoMeter High Performance product. In no event shall AutoMeter's cost to repair or replace an AutoMeter High Performance Product under this warranty exceed the original purchase price of the AutoMeter High Performance Product. Nor shall AutoMeter Products, Inc. be responsible for special, incidental or consequential damages or costs incurred due to the failure of an AutoMeter High Performance Product. This warranty applies only to the original purchaser of the AutoMeter High Performance Product and is non-transferable. This warranty also applies only to AutoMeter High Performance Products purchased from an Authorized AutoMeter Reseller. All implied warranties shall be limited in duration to the said 12 month warranty period. Breaking the instrument seal, improper use or installation, accident, water damage, abuse, unauthorized repairs or alterations voids this warranty. AutoMeter disclaims any liability for consequential damages due to the breach of any written or implied warranty on all products manufactured by AutoMeter Products, Inc. For a comprehensive listing of Un-Authorized AutoMeter Resellers please visit www.autometer.com/autometerlocator/index/unauthorized.

FOR SERVICE SEND TO: **AUTOMETER PRODUCTS, INC.** 413 W. Elm St., Sycamore, IL 60178 USA (866) 248-6357

Email us at service@autometer.com