



***DOWNLOAD COLOUR  
INSTALL MANUALS AT  
[www.bddiesel.com](http://www.bddiesel.com)***



# **5.9L 24 VALVE INJECTOR FEED LINE**







**Cummins High Pressure Injector Line**

**1050150**

**Dodge Ram 5.9L 2003-2007**

**WARNING: WEAR SAFETY GLASSES WHEN WORKING WITH HIGH  
PRESSURE FUEL SYSTEMS**

# Kit Contents

<b>1501150</b>	<b>1501151</b>
	
Fuel Line Cylinder 1	Fuel Line Cylinder 2
<b>Qty: 1</b>	<b>Qty: 1</b>
<b>1501152</b>	<b>1501153</b>
	
Fuel Line Cylinder 3	Fuel Line Cylinder 4
<b>Qty: 1</b>	<b>Qty: 1</b>
<b>1501154</b>	<b>1501155</b>
	
Fuel Line Cylinder 5	Fuel Line Cylinder 6
<b>Qty: 1</b>	<b>Qty: 1</b>

## **Table of Contents**

Kit Contents .....2

Table of Contents.....3

Introduction .....3

Tools Required for Installation .....3

Installation.....4

    Removal .....4

    Fuel system priming.....9

## **Introduction**

This kit is designed by BD Diesel to give you true to OEM fuel line fitment to allow for easy installation. Every single line is checked for quality and fitment at BD Diesel to guarantee fit to the 5.9L Cummins engine.

## **Tools Required for Installation**

- Torque Wrench
- 13, 15, 19, 22mm wrench
- Ratchets
- T15 Torx
- 8, 11, 15, 24mm socket
- Ratchet extensions (assorted)

## Installation

### Removal

Disconnect both vehicle batteries before installation.

---

Prior to removal of fuel lines, thoroughly clean the fuel lines at both ends.

**WARNING:** Allow for engine to cool prior to working on the engine, this allows for the high pressure fuel system to bleed off pressure. If this is not done, serious injury can occur.

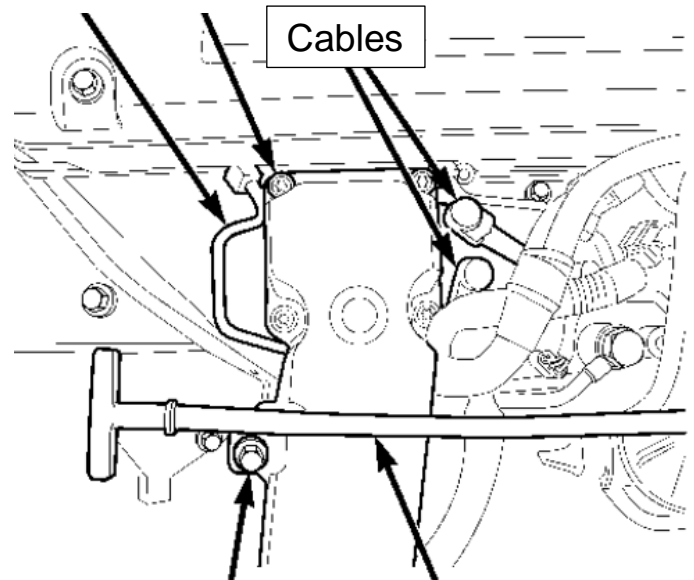
**Note:** Diesel fuel injectors are calibrated to extremely tight tolerances, dirt contamination will cause premature wear and possible plugging of fuel injector nozzle. This could lead to possible engine misfires.

---

Remove the intake manifold air intake tube and the rubber connector hose.

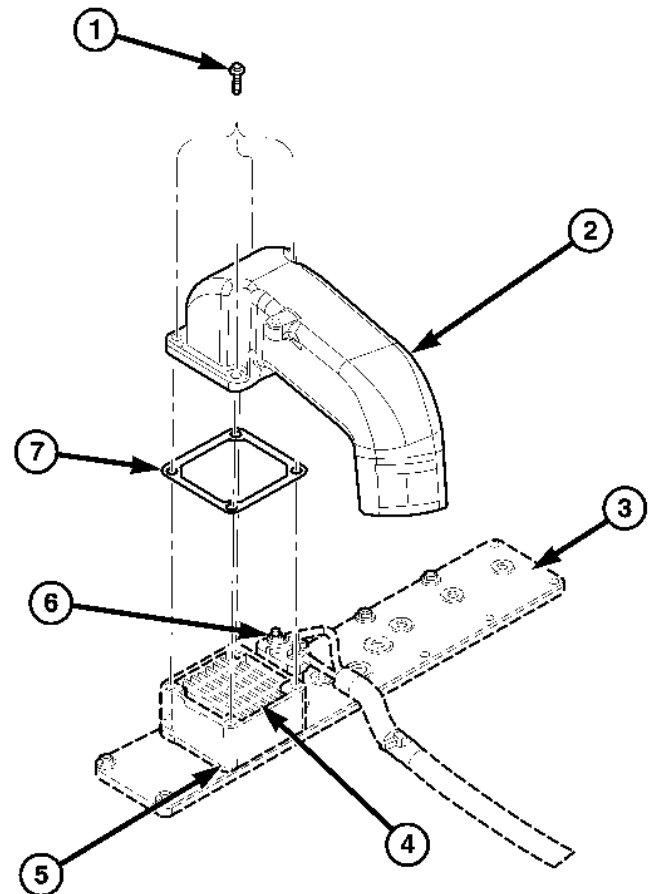


Remove the cables which are mounted to the intake heater grid.

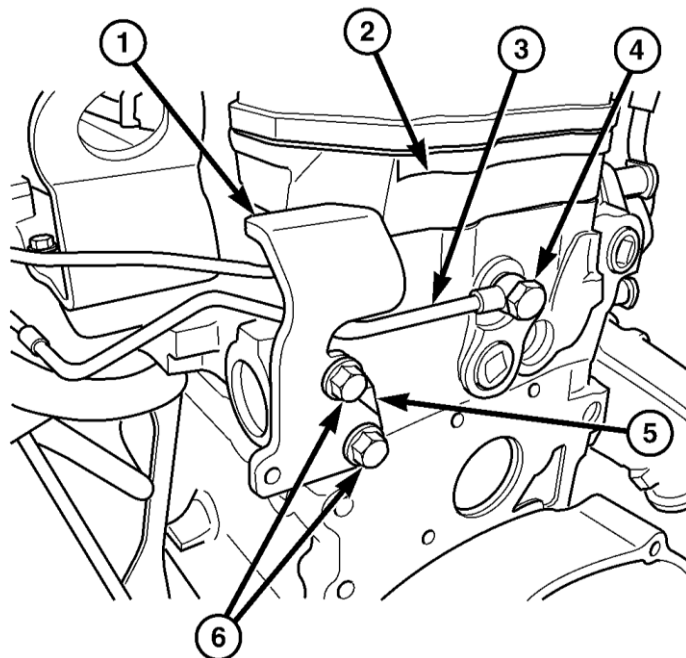


Remove wiring harness clips, engine oil dipstick tube bracket from air inlet connection and fuel filter housing, and the four housing mounting bolts (1).

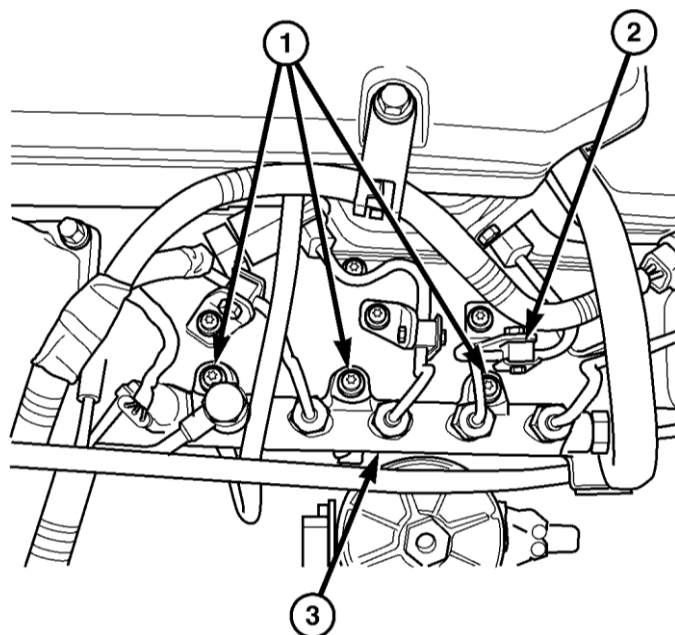
Remove heater element assembly.



A bracket (1) is located at the rear of the cylinder head. Two bolts secure this bracket to the rear of cylinder head. The upper bolt hole is slotted. Loosen (do not remove) these two bracket bolts (6). Tilt brackets down to gain access to No 6 fuel line connection.



Remove necessary insulated fuel line support clamps (2) at intake manifold.



Place shop towels around fuel lines at fuel rail injectors. If possible, do not allow fuel to drip down the side of the engine.

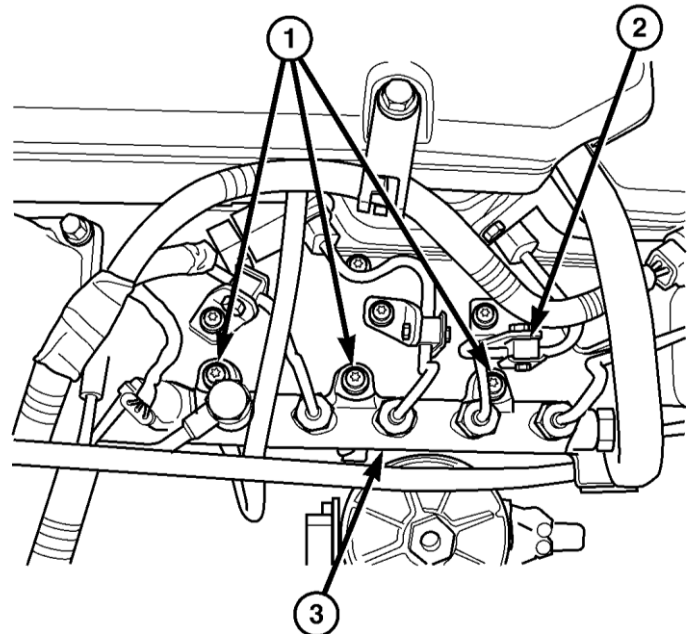
You can now carefully remove each fuel line from the engine.

---

## IF INSTALLING INJECTORS, PLEASE INSTALL THEM NOW

---

Position and install fuel line support clamp (2) bolts or nut, tighten finger tight.



Position proper fuel line to proper injector on engine, tighten fittings hand tight at both ends of the line.

---

Tighten fuel line at cylinder head.  
Torque nut to 30 N.m. (22 ft. lbs.)

---

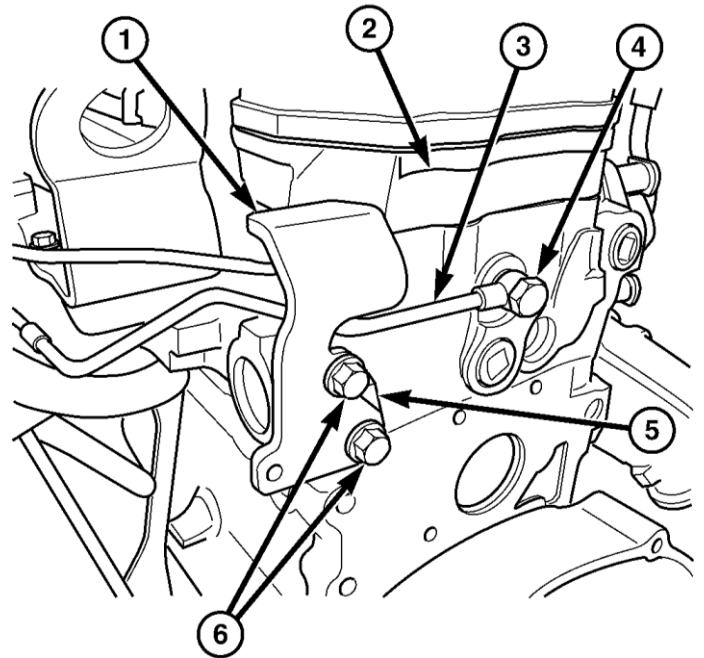
Tighten fuel lines at fuel rail. Torque  
nut to 37 N.m. (27 ft. lbs.)

---

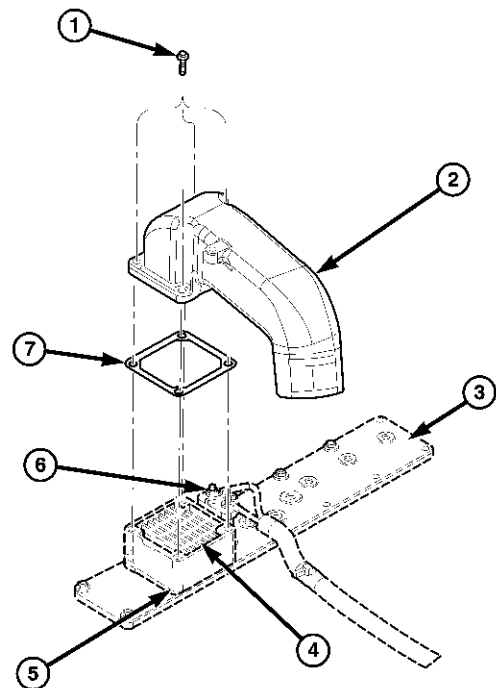
Tighten clamp support to intake  
manifold cover. Torque nut to 24 N.m  
(18 ft. lbs.)

---

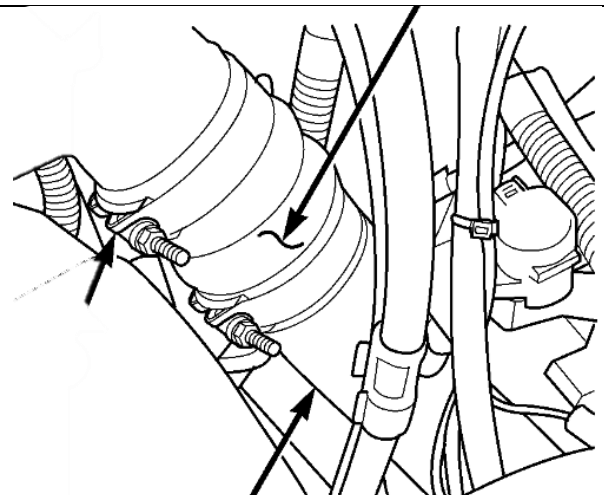
Tilt metal bracket upwards and tighten 2 bolts at the rear of cylinder head to 43 N.m. (32 ft. lbs.)



Install the air intake using 2 new gaskets for the heater element (7) (Cummins Part number: 3969988) and tighten 4 housing bolts (1) to 24 N.m. (18 ft. lbs.)



Connect rubber connector hose and intake tube to air intake housing. Tighten clamp bolts to 11 N.m. (100 in. lbs.)





Connect both negative battery terminals to both batteries.

### ***Fuel system priming***

Prime fuel system by turning the key to CRANK position and quickly releasing the key to ON position before engine starts. This will allow the fuel transfer pump to run for approximately 25 seconds.

Crank engine, if the engine does not start after 25 seconds, turn key to OFF position and leave for at least 5 seconds. Repeat previous step.



Once all components have been reinstalled, be sure to check all connection points are tight and inspect for leaks.

