



AEROMOTIVE
Part # 11804
01-10 CHEVY/GMC DIESEL LIFT PUMP & LINES
INSTALLATION INSTRUCTIONS

CAUTION:

Installation of this product requires detailed knowledge of automotive systems and repair procedures. We recommend that this installation be carried out by a qualified automotive technician.

Installation of this product requires handling of diesel. Ensure you are working in a well ventilated area with an approved fire extinguisher nearby. Extinguish all open flames, prohibit smoking and eliminate all sources of ignition in the area of the vehicle before proceeding with the installation.

When installing this product, wear eye goggles and other safety apparel as needed to protect yourself from debris and sprayed diesel.

Aeromotive system components are not legal for sale or use on emission controlled motor vehicles.

This kit contains the following parts:

1 ea ½" Return Hose Assembly (118-01E1-0)

1 ea ½" Feed Hose Assembly (118-01E3-0)

1 ea 5/8" Suction Hose Assembly (118-01E2-0)

1 ea Pump Power Harness

1 ea Wiring Harness

WARNING!



Always be aware of flammable situations. Drilling and grinding can be potential ignition sources. Extinguish all open flames, prohibit smoking and eliminate all sources of ignition in the area of the vehicle and workspace before proceeding with the installation. Ensure you are working in a well ventilated area with an approved fire extinguisher nearby.

WARNING!



Installation of this product requires modification to a fuel tank, failure to satisfy all safety considerations will result in fire, explosion, injury and/or loss of life to yourself and/or others.

WARNING!

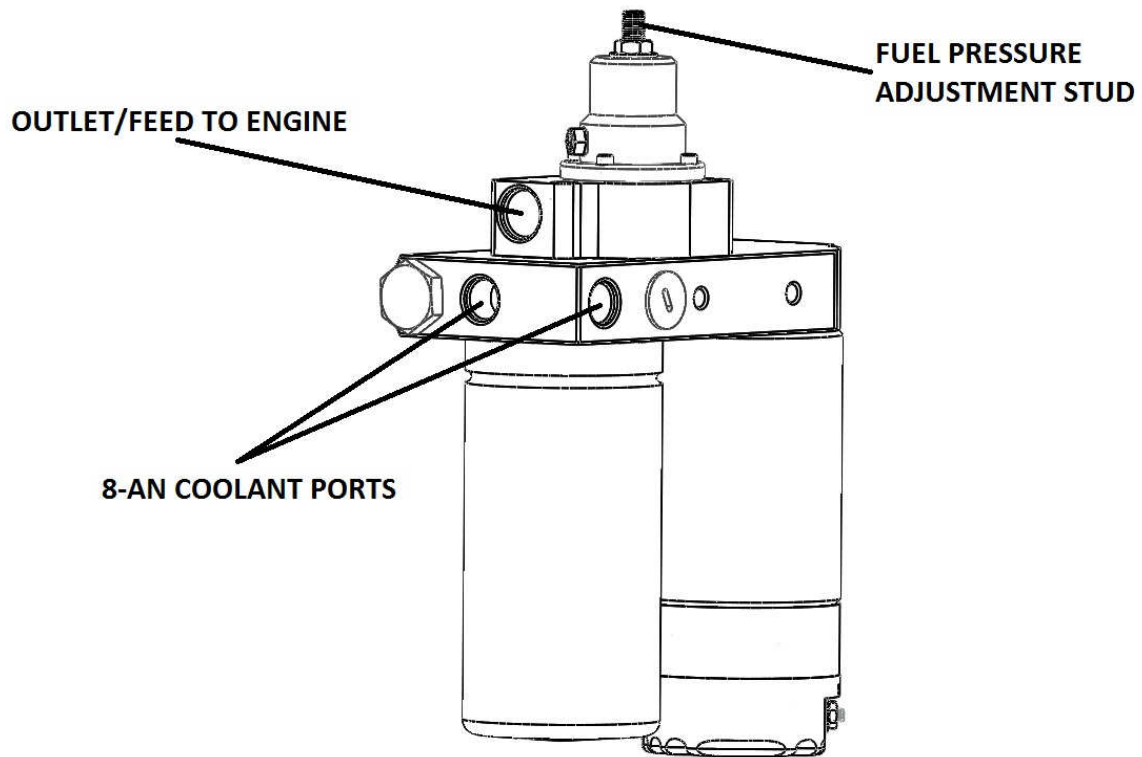
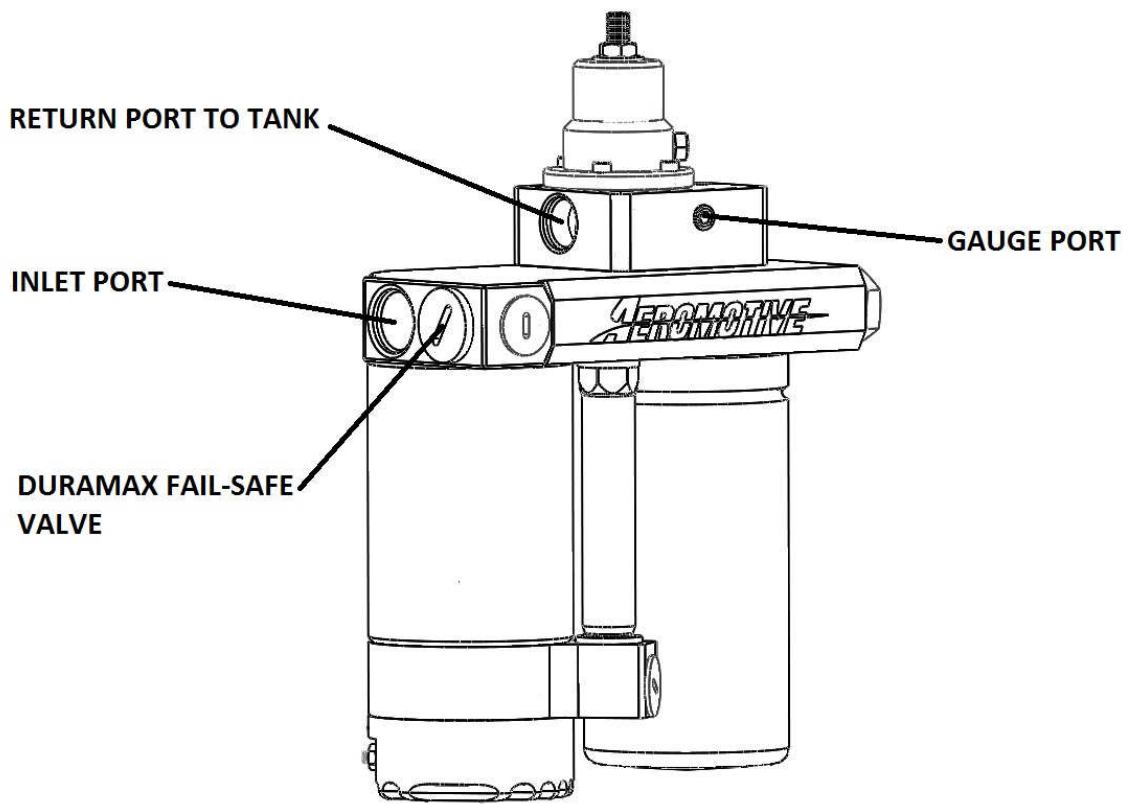


Mechanical and hydraulic lifting devices can tip over or lower accidentally due to incorrect maneuvering or technical errors. A falling object can cause injury and/or loss of life to yourself and/or others. When working under the vehicle always use stands and ensure that the ground or floor is stable and level. Never crawl under a vehicle which is only supported by a jack.

CAUTION:



Make sure all batteries are disconnected before starting installation. Most diesel truck have two 12v batteries.



1. Use the hose marked 118-01E1-0 for the return line. Place the 90 degree hose end onto the return fitting and engage retaining clip. Now take the hose marked 118-01E2-0 and push it onto the 5/8" tank fitting connection. **FIGURE 1-1**

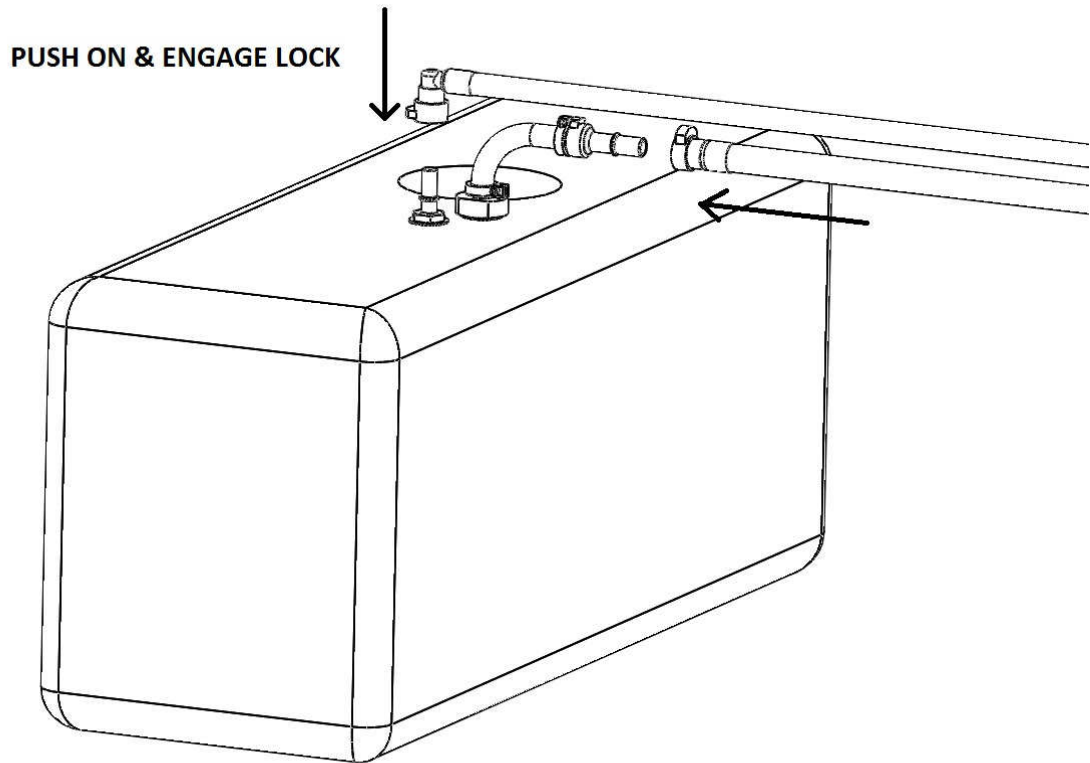


FIGURE 1-1

2. Route line away from moving parts and hot exhaust and secure in place with zip ties.
3. Now attach the feed and return lines to the pump. Route the lines as such to take out excess length. **FIGURE 1-2**

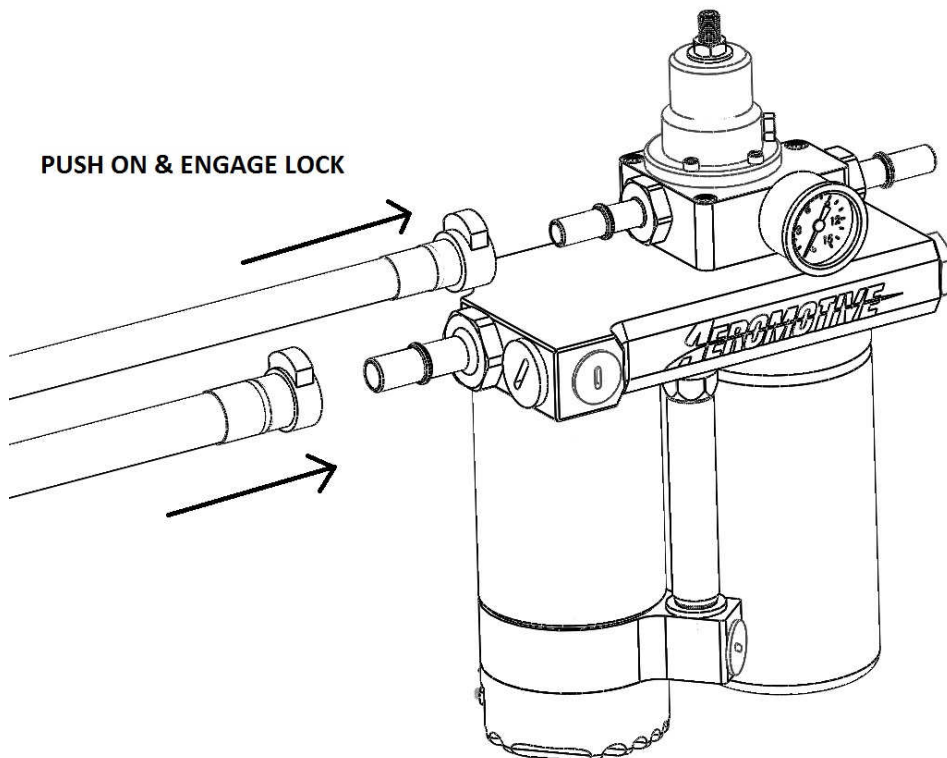


FIGURE 1-2

4. Use the last fuel hose marked 118-01E3-0 to connect to the outlet of the fuel pump. Connect the other end to the factory hard line feeding the injection pump. **FIGURE 1-3**

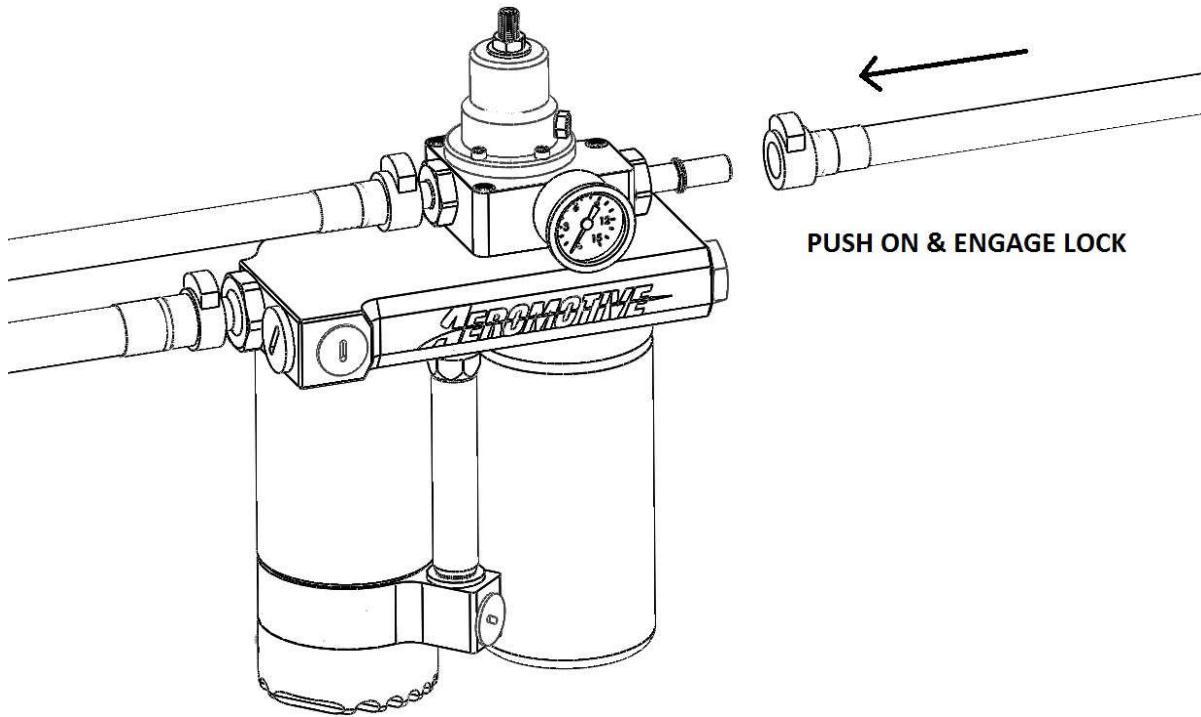


FIGURE 1-3

5. Aeromotive has made wiring up your new diesel lift pump very quick and easy with the use of Delphi weather pack connections and nylon power braiding. There are only three connections that need to be made:
1. Pump weather pack connection
 2. Power and ground connection
 3. Mini Fuse tap connection
6. Find a suitable place in the engine bay to mount the relay and fuse holder. Once mounted route the fuel pump power wire to fuel pump and make the connections (pump power connection shown). **FIGURE 1-4**

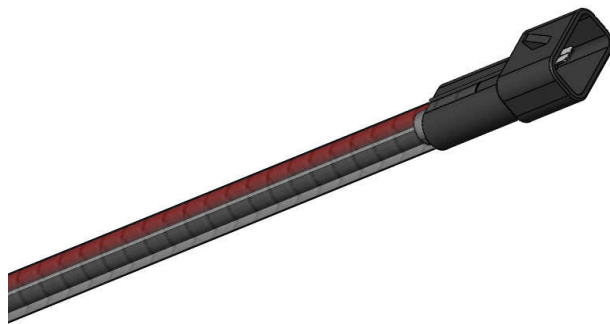


FIGURE 1-4

7. Locate the fuse box and remove the top cover to gain access to the fuses. Using a voltmeter or test light, find a fuse that is "hot" when the key is in the "on" position. Remove the selected fuse and replace it with the mini-fuse tap. Take the factory fuse you just removed and place it in the empty spot on the fuse tap. **FIGURE 1-5**

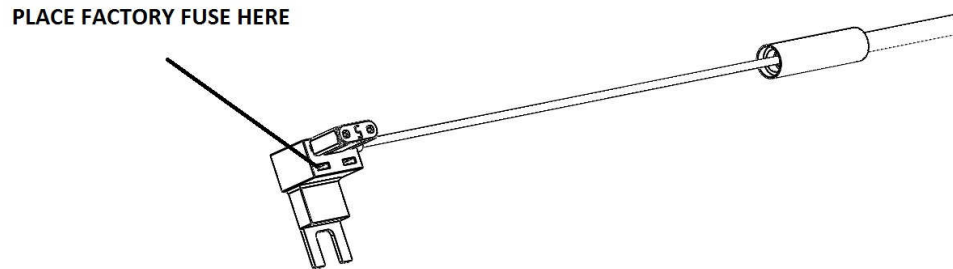


FIGURE 1-5

Note: Commonly used fuses for tap are: TBC Batt, Ign 1 or 2, ACC and HVAC.

8. Connect the Red (+) and Black (-) to the battery terminals. Make sure all wiring and fuel lines are secured properly.

Thread Size 1"-14

Part #	Manufacturer	Description	Micron Rating
BF1258	Baldwin	Fuel/Water Separator	10 Micron
BF1212	Baldwin	Fuel/Water Separator	
BF1214	Baldwin	Fuel/Water Separator	
175-2949	CAT	Fuel/Water Separator	
1R-0750	CAT	Fuel Filter	2 Micron
P551000	Donaldson	Fuel/Water Separator	10 Micron
P551001	Donaldson	Fuel/Water Separator	20 Micron
P558000	Donaldson	Fuel/Water Separator	20 Micron
FS1000	Fleetguard	Fuel/Water Separator	10 Micron
FS1001	Fleetguard	Fuel/Water Separator	10 Micron
FS1009	Fleetguard	Fuel/Water Separator	14 Micron
FS1212	Fleetguard	Fuel/Water Separator	14 Micron
LFF1223	Luber Finer	Fuel/Water Separator	
LFF8000	Luber Finer	Fuel/Water Separator	
3406	Napa	Fuel/Water Separator	14 Micron
3407	Napa	Fuel/Water Separator	5 Micron
3405	Napa	Fuel/Water Separator	14 Micron
33407	WIX	Fuel/Water Separator	5 Micron
33115	WIX	Fuel Filter	10 Micron
33504	WIX	Fuel/Water Separator	14 Micron

AEROMOTIVE, INC. LIMITED WARRANTY

This Aeromotive Product, with proof of purchase dated on or after January 1, 2003, is warranted to be free from defects in materials and workmanship for a period of one year from the original date of purchase. No warranty claim will be valid without authentic, dated proof of purchase.

This warranty is to the original retail purchaser and none other and is available directly from Aeromotive and not through any point of distribution or purchase.

If a defect is suspected, the retail purchaser must contact Aeromotive directly to discuss the problem, possible solutions and obtain a Return Goods Authorization (RGA), if deemed necessary by the company. Please call 913-647-7300 and dial option 3 for the technical service dept. All returns must be shipped freight pre-paid to the company and with valid RGA before they will be processed.

Aeromotive will examine any product returned with the proper authorization to determine if the failure resulted from a defect or from abuse, improper installation, misapplication or alteration. Aeromotive will then, at it's sole discretion, return, repair or replace the product.

If any Aeromotive product is determined defective, buyer's exclusive remedy is limited in value to the sale price of the good. In no event shall Aeromotive be liable for incidental or consequential damages.

Aeromotive expressly retains the right to make changes and improvements in any product it manufactures and sells at any time. These changes and improvements may be made without notice at any time and without any obligation to change the catalogs or printed materials.

Aeromotive expressly retains the right to discontinue at any time and without notice any Aeromotive product that it manufactures or sells.

This warranty is limited and expressly limits any implied warranty to one year from the date of the original retail purchase on all Aeromotive products.

No person, party or corporate entity other than Aeromotive shall have the right to: determine whether or not this Limited Warranty is applicable to any Aeromotive product, authorize any action whatsoever under the terms and conditions of this Limited Warranty, assume any obligation or liability of any nature whatsoever on behalf of Aeromotive under the terms and conditions of this Limited Warranty.

This Limited Warranty covers only the product itself and not the cost of installation or removal.

This Limited Warranty is in lieu of and expressly excludes any and all other warranties, expressed or implied. This Limited Warranty gives you specific legal rights, and you may also have other rights which vary from state to state.