

**advanced FLOW engineering** Momentum Air Intake

**Instruction Manual** P/N: 51-74007 / 54-74007

Make: **GM** Model: **Colorado / Canyon** Year: **2016-2018** Engine: **I4-2.8L (td) Duramax (LWN)**



- Please read the entire instruction manual before proceeding.
- Ensure all components listed are present.
- If you are missing any of the components, call technical support at 951-493-7100 or e-mail [tech@afepower.com](mailto:tech@afepower.com).
- Ensure you have all necessary tools before proceeding.
- Do not attempt to work on your vehicle when the engine is hot.
- Disconnect both the negative battery terminal before proceeding.

## Retain factory parts for future use.

Label	Qty.	Description	Part Number
A1	1	Pro 5R (Blue Media)	24-91092
A2	1	Pro DRY S (Gray Media)	21-91092
B	1	Tube	05-74007B1
C	1	Housing	05-74106B2
D	1	Plug, Urethane	05-01361
E	1	Seal Trim (7/16") (18 inches)	05-00072
F	1	Clamp, T-bolt (3-1/4" -3-9/16")	03-50292
G	1	Coupling, Silicone	05-01376
H	2	Screw, Torx: M4 x .7 x 8mm	03-50491
I	1	Clamp, #044	03-50019

Installation will require the following tools:

10mm & 8mm nut drivers, flat head screwdriver & #3 Phillips screwdriver, pliers, T20 drivers, 11mm deep socket & driver

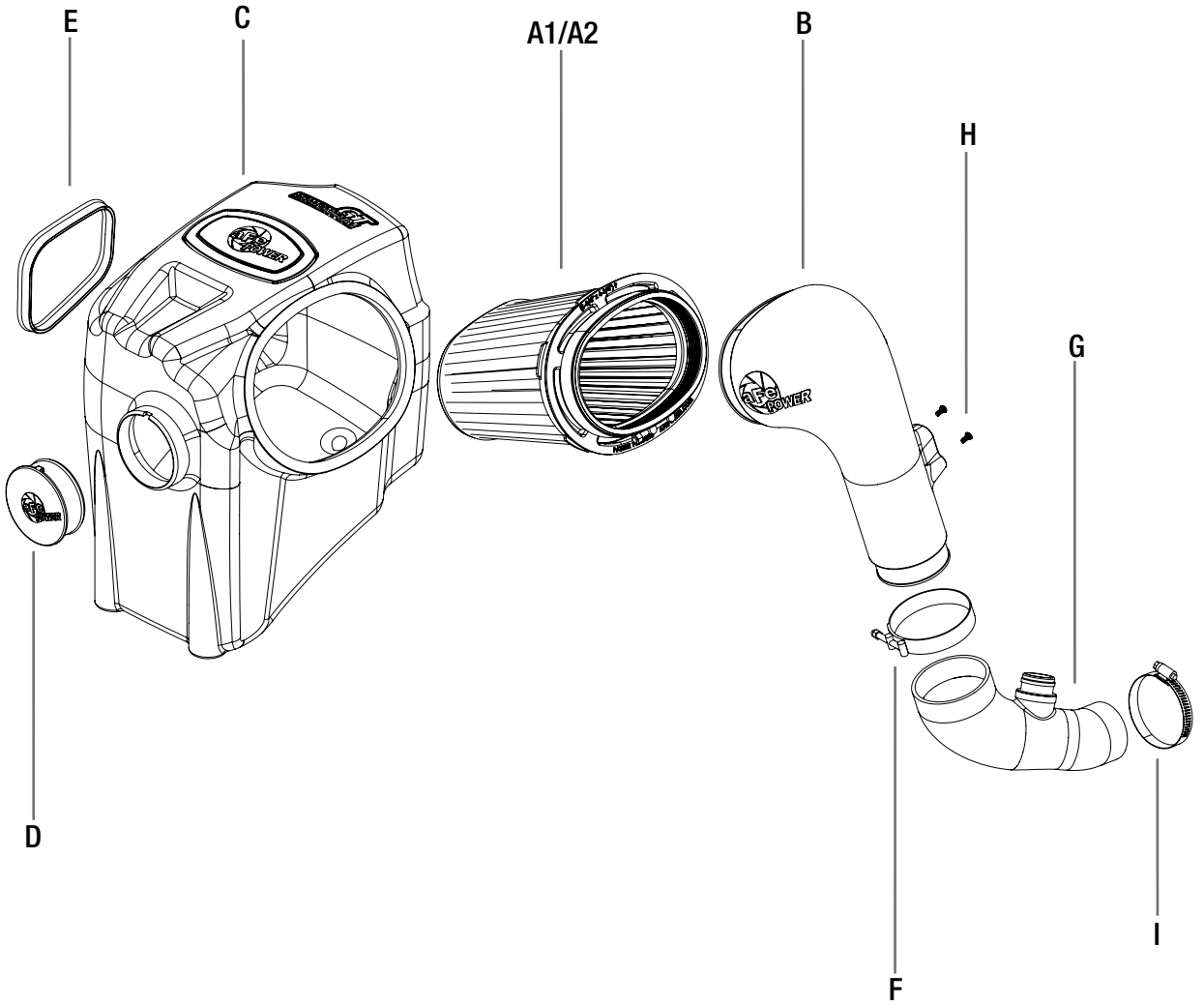




Figure A

**Refer to Figure A for Step 1**

Step 1: Use an 8mm nut driver to loosen the stock clamps (1). Remove the upper intake tube (2).



Figure B

**Refer to Figure B for Step 2**

Step 2: Disconnect the mass air flow sensor (3). Disengage the wire loom clip (4) from the air box. Remove the upper half of the air box with a #3 Phillips screwdriver and remove the air filter.

**Figure C****Refer to Figure C for Step 3**

Step 3: Use a 10mm nut driver to remove the two nuts (5) holding the air box and set aside. Remove the air box with the attached air inlet by pulling up to release the air box from its mounting grommet.





Figure D

**Refer to Figure D for Step 4**

Step 4: Rotate the coolant reservoir hose clamps (6) so the ears point up.

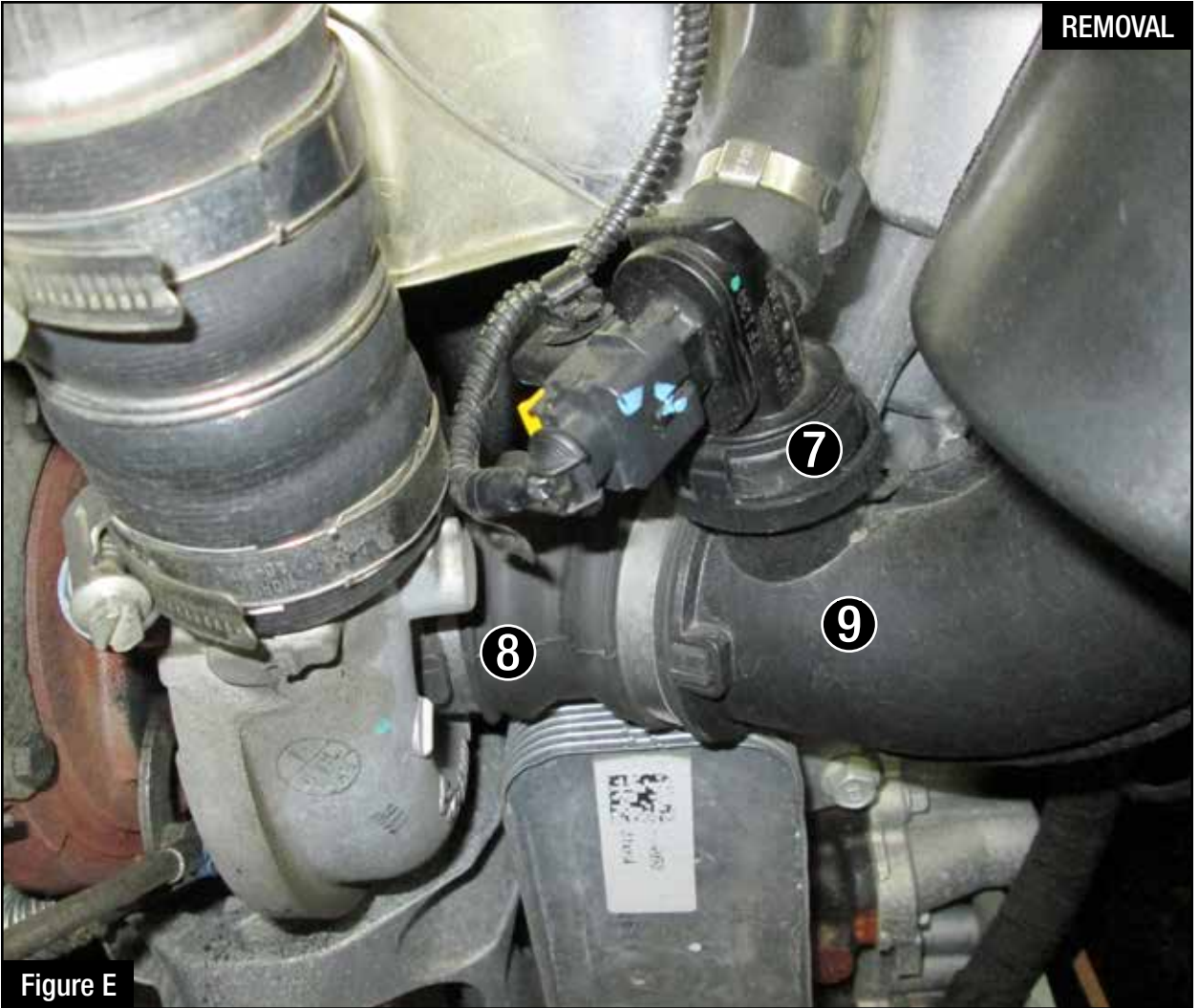


Figure E

**Refer to Figure E for Step 5**

Step 5: Disconnect the breather hose (7) and loosen the clamp (8) at the turbo. Remove the lower intake tube (9).



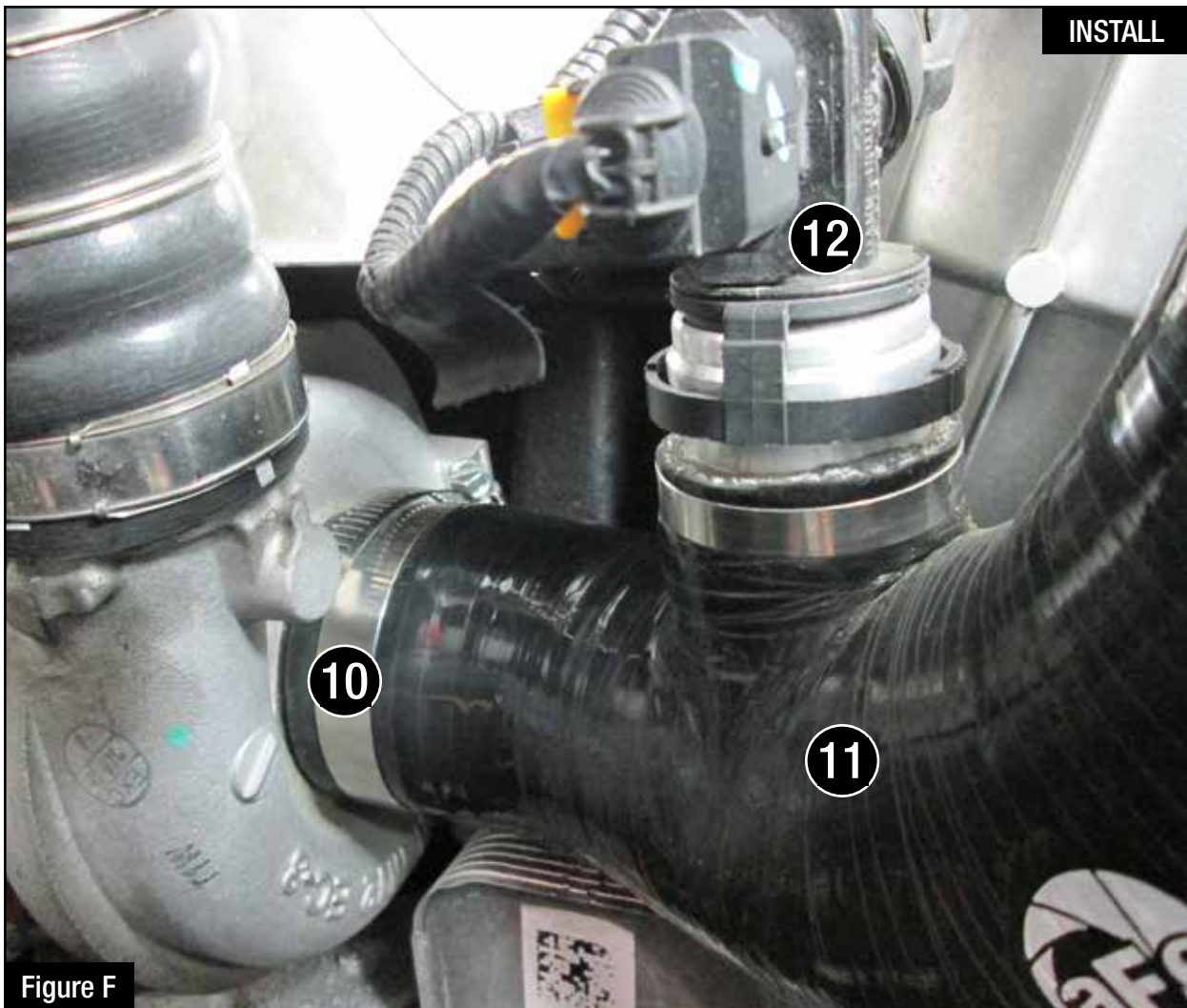


Figure F

**Refer to Figure F for Step 6**

Step 6: Install the supplied clamp (10) on the supplied silicone coupler (11). Install the coupler with clamp on the turbo and tighten the clamp. Connect the breather hose (12).



Figure G

**Refer to Figure G for Step 7**

Step 7: Using a Torx 20 driver, remove the mass air flow sensor (13) from the upper half of the air box and install it on the aFe intake tube with the two supplied screws. Do not overtighten.



Figure H

**Refer to Figure H for Step 8**

Step 8: Install the supplied trim seal (14) on the opening of the aFe air box.



**Refer to Figure I for Step 9**

Step 9: Remove the two grommets with metal spacers ⑮ from the lower half of the air box and install them onto the aFe air box.



Figure J

**Refer to Figure J for Step 10**

Step 10: Install the aFe air box into the vehicle by pushing down the air box pin into the rubber grommet and through two front studs. Secure air box with the two nuts removed in step 3 with a 10mm nut driver.





Figure K

**Refer to Figure K for Step 11**

Step 11: Slide the aFe filter and clamp into the aFe housing and push it in until it locks into place. Do not tighten clamp at this time.





Figure L

**Refer to Figure L for Step 12**

Step 12: Install the supplied T-bolt clamp (16) on the silicone coupler. Install the aFe intake tube into the vehicle. Slide into the air filter first. Then slide it into the silicone coupler. Tighten all clamps.

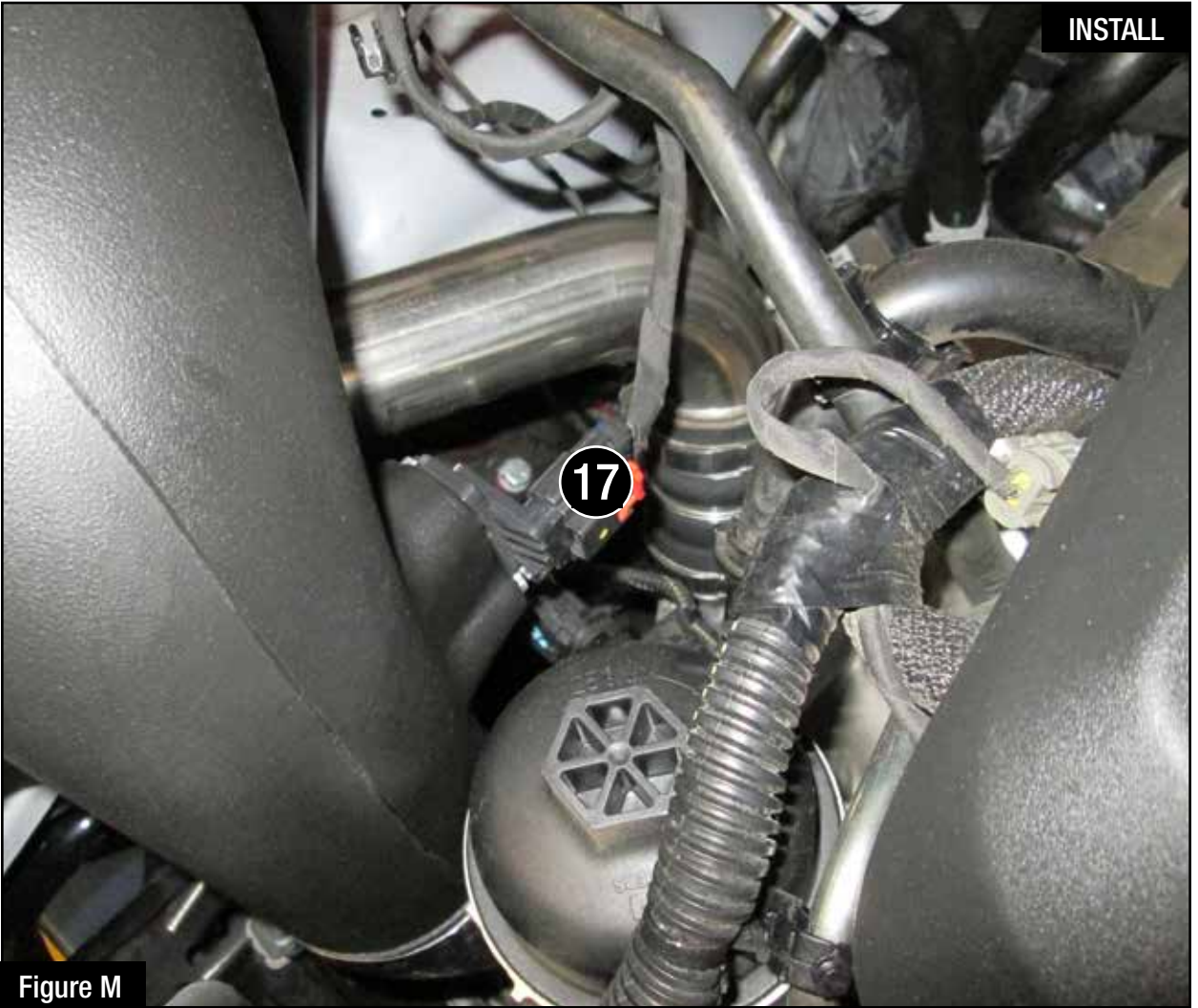


Figure M

**Refer to Figure K for Step 13**

Step 13: Re-connect the Mass Air Flow Sensor (17).

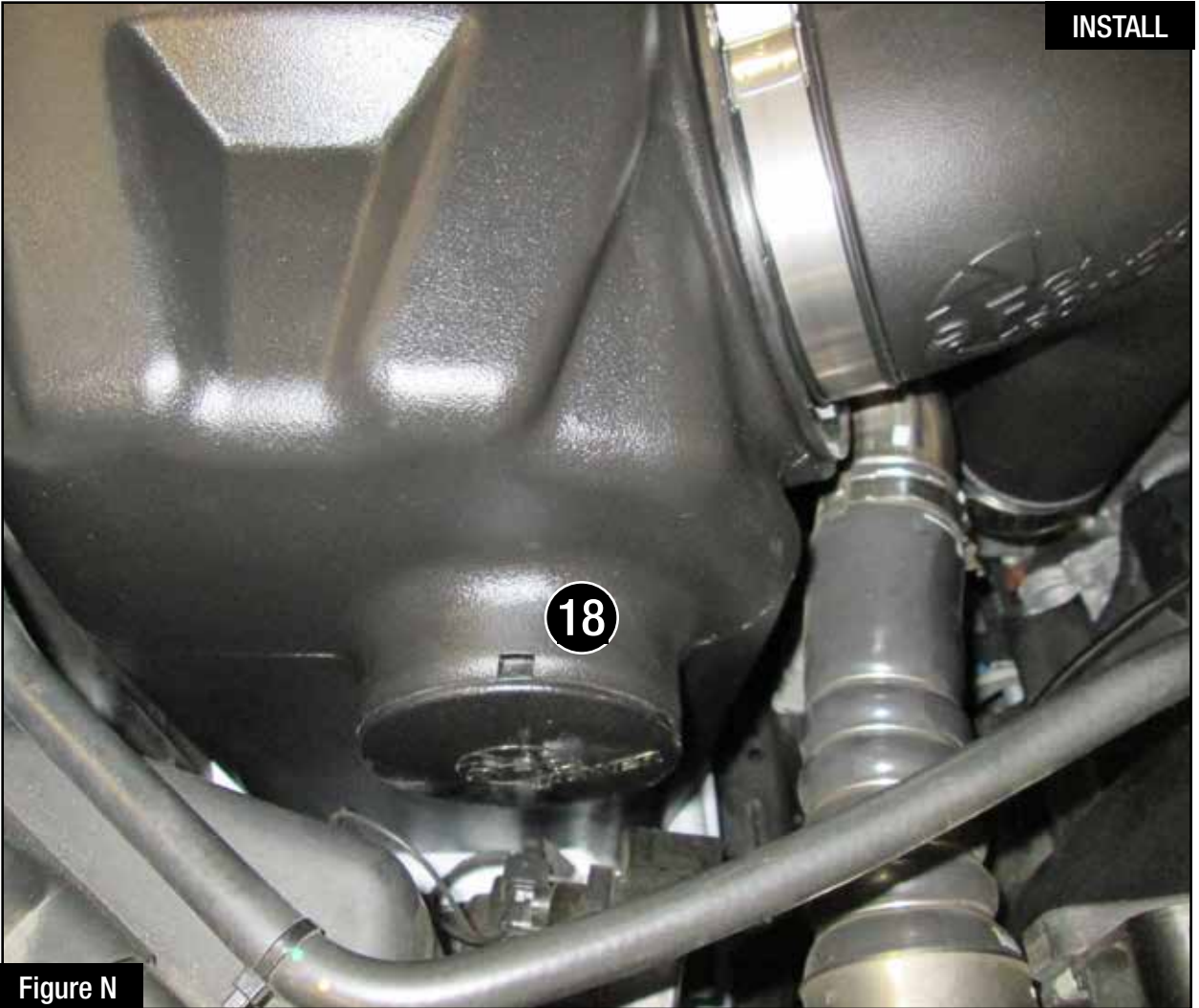


Figure N

**Refer to Figure N for Step 14**

Step 14: Use the provided plug (18) to close additional air inlet if you want to completely seal the air box. Best performance gain is obtained by having more flow (no plug). Check all the components are tight and secure. Your installation is now complete. Thank you for choosing aFe Power!

**NOTE: Check all bolts, clamps, and connectors after 200 miles. Place enclosed CARB EO sticker on or near the device on a smooth/clean surface. EO identification label is required to pass the smog test inspection.**



Pro DRY S Air Filter



P/N: 21-91092

Pro 5R Air Filter



P/N: 24-91092

Pro DRY S Restore Kit



P/N: 90-59999

Blue Squeeze Restore Kit



P/N: 90-50501

Exhaust



P/N: 49-04064-B (w/ Blk Tip)  
49-04064-P (w/ Pol Tip)

Side Exit Exhaust



P/N: 49-44065-B (w/ Blk Tip)  
49-44065-P (w/ Pol Tip)

Front Coilovers



P/N: 501-5600-03

Rear Shocks



P/N: 502-0052-02

Intercooler Tubes



P/N: 46-20264-B (Blk)  
46-20264-R (Red)

Module



P/N: 77-44009

To purchase any of the items above, view airflow charts, dyno graphs, photos, and video; please go to [aFepower.com](http://aFepower.com).



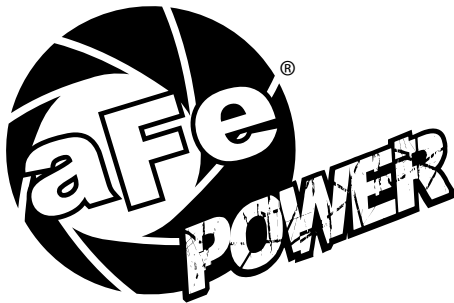
# Warranty

## General Terms:

- aFe warrants their products to be free from manufacturer's defects due to workmanship and material.
- This warranty applies only to the original purchaser of the product and is non-transferrable.
- Proof of purchase of the aFe product is required for all warranty claims.
- Warranty is valid provided aFe instructions for installation and/or cleaning were properly followed.
- Proper maintenance with regular inspections of product is required to insure warranty coverage.
- Damage due to improper installation, abuse, unauthorized repair or alteration is not warranted.
- Incidental or consequential damages or cost, including installation and removal of part, incurred due to failure of aFe product is not covered under this warranty.
- All warranty is limited to the repair and/or replacement of the aFe part. To request Return Goods Authorization ("RGA"), email [RGA@afepower.com](mailto:RGA@afepower.com) or call (951)493-7100. Upon receipt of the RGA, you must return the product to the address provided in the RGA, freight prepaid and accompanied with a dated proof of purchase and the RGA. Upon receipt of the defective product and upon verification of proof of purchase, aFe will either repair or replace the defective product within a reasonable time, not to exceed thirty days.

<b>Product Category</b>	<b>P/N Prefix</b>	<b>Warranty duration</b>
Direct OE Replacement Filters	10, 11, 30, 31, 71, 73	Life of the vehicle
Racing Filters	18	1 year
Universal	21, 24, 72	2 years
Air Intake Systems	50, 51, 54, 55, 75	2 years
Exhaust Systems	49	2 years
Intercoolers & Intercooler Tubes	46-2	2 years
Intake Manifolds	46-1	2 years
Differential Cover	46-7	Life of the vehicle
Exhaust Manifolds	46	2 years
Throttle Body Spacers	46-3	2 years
Fluid Filters	44	90 days
Pre-Filters	28	2 years
Heavy Duty OE Replacement	70	2 years
PowerSports OE Replacement	81, 87	2 years
PowerSports Intake Systems	85	2 years

No other warranty expressed or implied applies nor is any person or advanced FLOW engineering authorized to assume any other warranty. Some States do not allow the exclusion or limitation of incidental or consequential damages or do not allow limitations on how long an implied warranty lasts, so the above limitations or exclusions may not apply to you. This warranty gives you specific legal rights, and you may also have other rights which vary from State to State.



**advanced FLOW engineering, inc.**

252 Granite Street Corona, CA 92879

TEL: 951.493.7155 • TECH: 951.493.7100