

advanced FLOW engineering Quantum Air Intake
Instruction Manual P/N: 53-10003D / 53-10003R

Make: **Ford** Model: **F-250/F-350/F-450/F-550** Year: **2011-2016** Engine: **V8-6.7L (td) Power Stroke**



- Please read the entire instruction manual before proceeding.
- Ensure all components listed are present.
- If you are missing any of the components, call customer support at 951-493-7100 or e-mail at tech@afepower.com.
- Ensure you have all necessary tools before proceeding.
- Do not attempt to work on your vehicle when the engine is hot.
- Disconnect the negative battery terminal before proceeding.
- Retain factory parts for future use.

Label	Qty.	Description	Part Number
A1	1	Air Filter (Pro 5R)	R23-91129
A2	1	Air Filter (Pro DRY S)	R21-90098
B	1	Housing	05-53005B2
C	1	Tube	05-53005B1
D	1	Grommet	03-50033
E	1	Cap	03-50103
F	1	Coupling, Silicone Bellow	05-01457
G	1	Clamp, #080	03-50011
H	3	Clamp, #072	03-50010
I	2	Screw, Torx: M4	03-50491
J	1	Coupling, Silicone Hump	05-01204
K	1	Fixing Clamp	03-50234
L	1	Flat Washer	03-50070
M	1	Hex Screw	03-50057

Installation will require the following tools:

8mm & 10mm Nut driver, Phillips #3 screwdriver, and T-20 Torx driver.

Note: Legal in California for use on race vehicles only. The use of this device on vehicles used on public streets or highways is strictly prohibited in California and others states that have adopted California emission regulations.

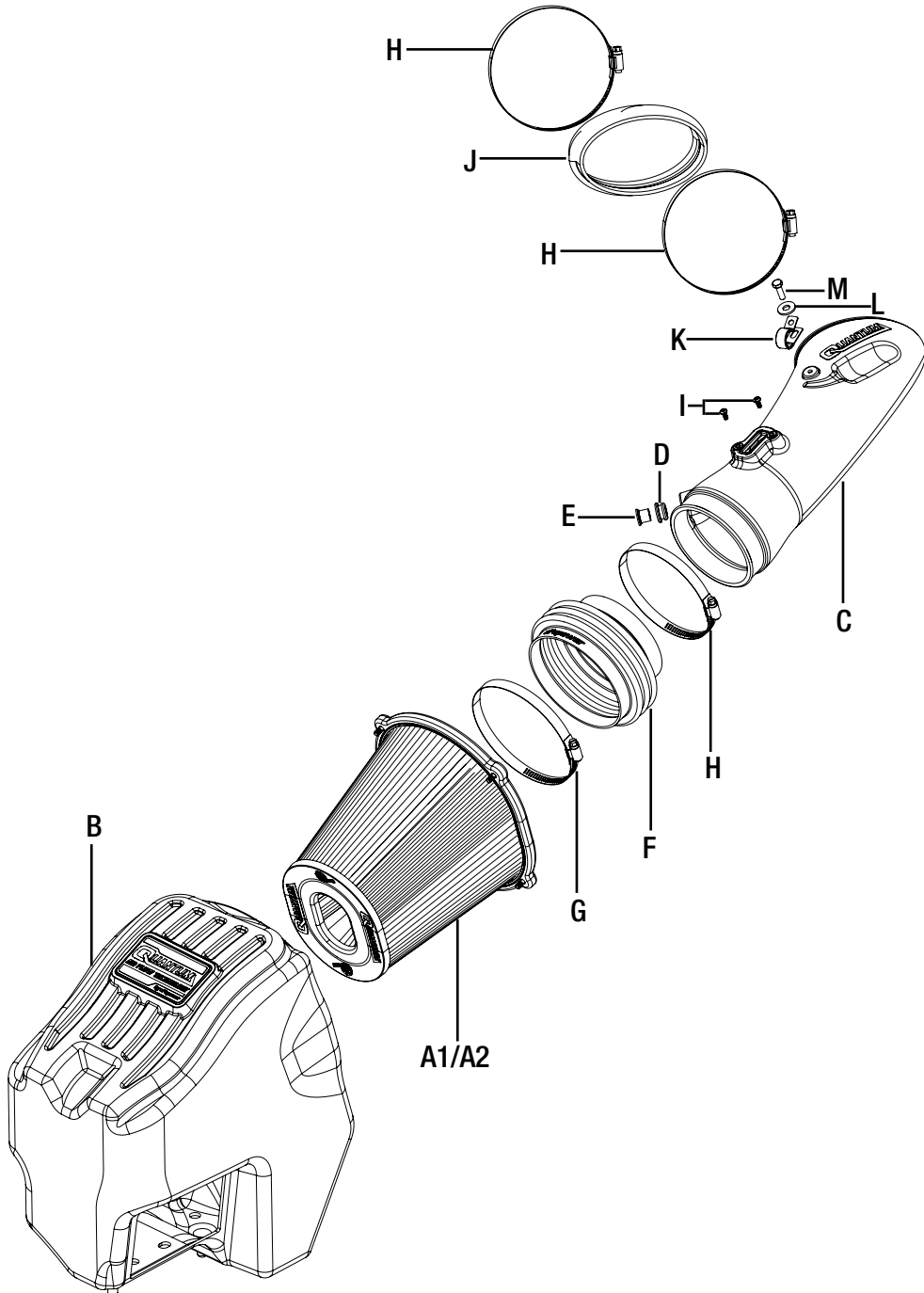



Figure A
Refer to Figure A for Steps 1-2

Step 1: Using an 8mm nut driver, remove the two screws (1) securing the OE intake tube and the OE airbox. Set the screws aside.

Step 2: Using an 8mm nut driver, loosen the clamps (2) at the turbo inlet and the airbox. Remove the intake tube.



Refer to Figure C for Step 5

Step 5: Remove the factory grommet with metal insert (5) from the OE airbox and install them on the aFe housing.



Figure D

Refer to Figure D for Step 6-7

Step 6: Slide the aFe filter into the aFe housing. Install the aFe filter using a #3 Phillips screwdriver.

Tighten all four screws.

Step 7: Install the supplied bellows coupling (6) onto the air filter using the supplied #80 clamp (7).

Tighten the clamp.



Figure E

Refer to Figure E for Step 8

Step 8: Remove the rubber inlet gasket (8) from the OE airbox and install it on the aFe housing.



Figure F

Refer to Figure F for Step 9

Step 9: Install the housing assembly into the vehicle by pushing it in to the factory grommets. Secure the housing assembly with the screw ⑨ removed in Step 1. Tighten the screw.



Figure G

Refer to Figure G for Steps 10-12

Step 10: Remove the factory filter minder and grommet (10) and install them onto the aFe intake tube.

Step 11: Using a T20 Torx driver, remove the MAF sensor (11) from the OE airbox.

Step 12: Install the MAF sensor in the aFe intake tube using the provided M4 screws and a T20 Torx driver.

**Figure H****Refer to Figure H for Steps 13-14**

Step 13: Slide the supplied hump coupling (12) over the turbo inlet with one of the supplied #72 clamp (13). Tighten the clamp.

Step 14: Place the other provided #72 clamp (14) onto the hump coupling and the #80 (15) clamp onto the filter coupling.



Figure I

Refer to Figure I for Step 15

Step 15: Slide the aFe intake tube into the coupling at the filter, then install the intake tube into the coupling at the turbo inlet. Tighten all the clamps with an 8mm nut driver.



Figure J

Refer to Figure F for Steps 16-17

Step 16: Reconnect the MAF sensor (16).

Step 17: Secure the a/c hose to the tube with the provided fixing clamp, 6mm screw and washer (17). Using a 10mm nut driver, tighten the screw. Check all the components are tight and secure. Your installation is now complete.

NOTE: Check all bolts, clamps, and connectors after 100-200 miles.



Pro DRY S Air Filter



P/N: 21-90098

Pro 5R Air Filter



P/N: 23-91129

Blue Squeeze Restore Kit



P/N: 90-50501

Pro DRY S Restore Kit



P/N: 90-59999

Pre-Filter



P/N: 28-10423

SCORCHER BLUE Module



P/N: 77-83014

SCORCHER PRO Tune



P/N: 77-33005

DP-Back Exhaust System



P/N: 49-03039 (w/ Muffler)
49-03039NM (No Muffler)

DPF-Back Exhaust System



P/N: 49-43064-P (Pol. Tip)
49-43064-B (Bik. Tip)
49-43064 (No Tip)

Engine Oil Pan w/ Oil Filter



P/N: 46-70322 (Bik./Mach.)
46-70320 (RAW)

DFS780 PRO Fuel System



P/N: 42-23031

BrakeLogic Module



P/N: 77-63002

To purchase any of the items above, view airflow charts, dyno graphs, photos, and video; please go to aFepower.com.

Warranty

General Terms:

- aFe warrants their products to be free from manufacturer's defects due to workmanship and material.
- This warranty applies only to the original purchaser of the product and is non-transferrable.
- Proof of purchase of the aFe product is required for all warranty claims.
- Warranty is valid provided aFe instructions for installation and/or cleaning were properly followed.
- Proper maintenance with regular inspections of product is required to insure warranty coverage.
- Damage due to improper installation, abuse, unauthorized repair or alteration is not warranted.
- Incidental or consequential damages or cost, including installation and removal of part, incurred due to failure of aFe product is not covered under this warranty.
- All warranty is limited to the repair and/or replacement of the aFe part. To request Return Goods Authorization ("RGA"), email RGA@afepower.com or call (951)493-7100. Upon receipt of the RGA, you must return the product to the address provided in the RGA, freight prepaid and accompanied with a dated proof of purchase and the RGA. Upon receipt of the defective product and upon verification of proof of purchase, aFe will either repair or replace the defective product within a reasonable time, not to exceed thirty days.

Product Category	P/N Prefix	Warranty duration
Direct OE Replacement Filters	10, 11, 30, 31, 71, 73	Life of the vehicle
Racing Filters	18	1 year
Universal	21, 24, 72	2 years
Air Intake Systems	50, 51, 54, 55, 75	2 years
Exhaust Systems	49	2 years
Intercoolers & Intercooler Tubes	46-2	2 years
Intake Manifolds	46-1	2 years
Differential Cover	46-7	Life of the vehicle
Exhaust Manifolds	46	2 years
Throttle Body Spacers	46-3	2 years
Fluid Filters	44	90 days
Pre-Filters	28	2 years
Heavy Duty OE Replacement	70	2 years
PowerSports OE Replacement	81, 87	2 years
PowerSports Intake Systems	85	2 years

No other warranty expressed or implied applies nor is any person or advanced FLOW engineering authorized to assume any other warranty. Some States do not allow the exclusion or limitation of incidental or consequential damages or do not allow limitations on how long an implied warranty lasts, so the above limitations or exclusions may not apply to you. This warranty gives you specific legal rights, and you may also have other rights which vary from State to State.



advanced FLOW engineering, inc.

252 Granite Street Corona, CA 92879

TEL: 951.493.7100 • TECH: 951.493.7134

E-Mail: Tech@aFepower.com