



**DOWNLOAD COLOUR  
INSTALL MANUALS AT  
[www.bddiesel.com](http://www.bddiesel.com)**



## 6.7L Cummins Fuel Injector

### Stock Replacement Injectors

|                |  |                 |
|----------------|--|-----------------|
| <b>1715518</b> | <b>2007.5-2012 Ram Pickup</b>          | <b>Standard</b> |
| <b>1725518</b> | <b>2007.5-2012 Ram Pickup</b>          | <b>Premium</b>  |
| <b>1715571</b> | <b>2007.5-2010 Ram C&amp;C W/O SCR</b> | <b>Standard</b> |
| <b>1725571</b> | <b>2007.5-2010 Ram C&amp;C W/O SCR</b> | <b>Premium</b>  |
| <b>1715588</b> | <b>2010.5-2012 Ram C&amp;C W/ SCR</b>  | <b>Standard</b> |
| <b>1725588</b> | <b>2010.5-2012 Ram C&amp;C W/ SCR</b>  | <b>Premium</b>  |
| <b>1715542</b> | <b>2013-2018 Ram Pickup</b>            | <b>Standard</b> |
| <b>1725542</b> | <b>2013-2018 Ram Pickup</b>            | <b>Premium</b>  |
| <b>1715589</b> | <b>13-18 Ram Cab &amp; Chassis</b>     | <b>Standard</b> |
| <b>1725589</b> | <b>13-18 Ram Cab &amp; Chassis</b>     | <b>Premium</b>  |

### “Stock Plus” Performance Injectors (5-15HP)

|                |   |                 |
|----------------|---|-----------------|
| <b>1714518</b> | <b>2007-2012 Ram Pickup - SC-BDD01-0017</b> | <b>Standard</b> |
| <b>1724518</b> | <b>2007-2012 Ram Pickup - SC-BDD01-0017</b> | <b>Premium</b>  |
| <b>1714542</b> | <b>2013-2018 Ram Pickup - D553-6</b>        | <b>Standard</b> |
| <b>1724542</b> | <b>2013-2018 Ram Pickup - D553-6</b>        | <b>Premium</b>  |

Premium line injectors are built with new Bosch solenoids, nozzles and control valves

**PLEASE READ ALL INSTRUCTIONS BEFORE INSTALLATION**

1714542/1724542 Meets CARB requirements(EO D553-6)

1714518/1724518 Meets SEMA Certified Emissions (SC-BDD01-017)

## Suggested Items

# 1050157

## 2007.5-2018 Ram Pickup, Injector Install Kit

This kit contains brand new equipment to ensure no fuel line contamination occurs. This kit also includes a new valve cover gasket to replace any wear and tear, and aging that can occur. While this kit is not necessary, it is recommended to ensure optimal performance and longevity of your injection system.

### Included in all kits and configurations:

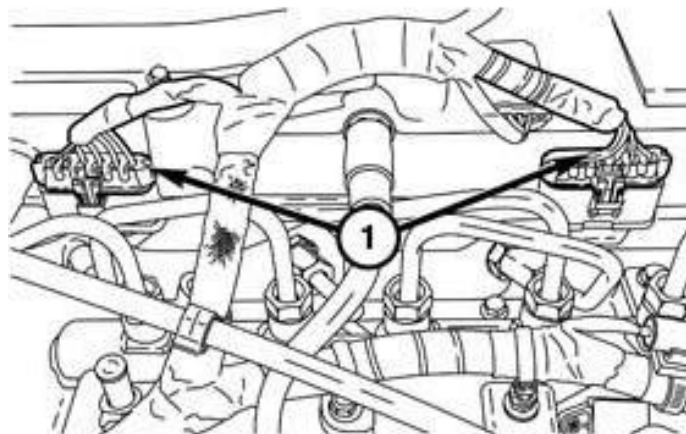


## Removal

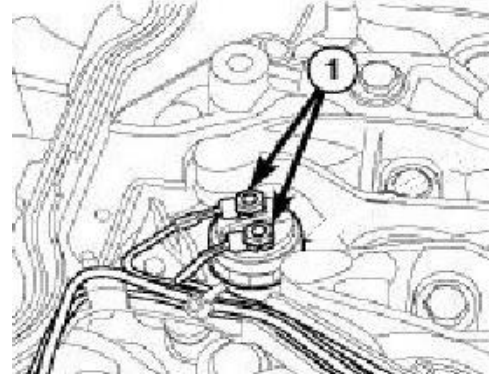
1. Disconnect both vehicle batteries before installation for safety.
2. Remove cylinder head cover

3. Disconnect both fuel injector harness connectors

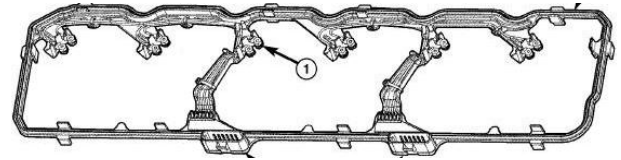
**Only required on 2013-2018 models.**



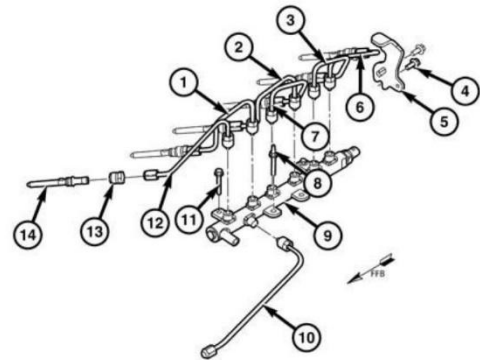
4. Remove all fuel injector wire harness nuts securing the integrated wiring harness to all fuel injectors.



5. Remove the cylinder cover gasket.



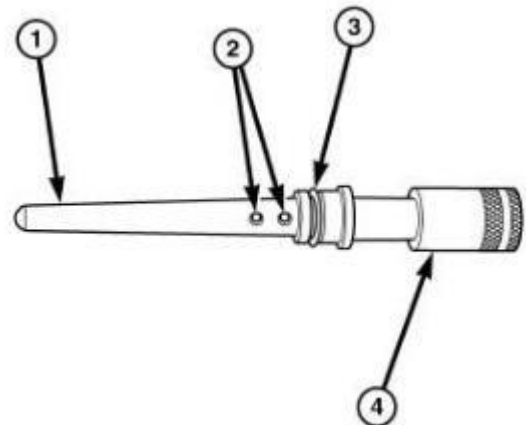
6. Remove the six high pressure fuel feed lines.



7. Remove the fuel injector connector nut.

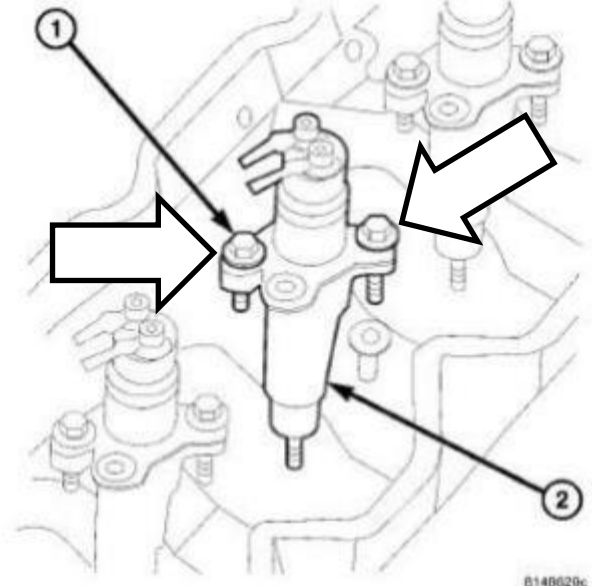
Install the High Pressure Connector Remover onto the fuel injector connector tube located in cylinder head.

Use the High Pressure Connector Remover pry and remove the fuel injector connector tubes from the cylinder head.



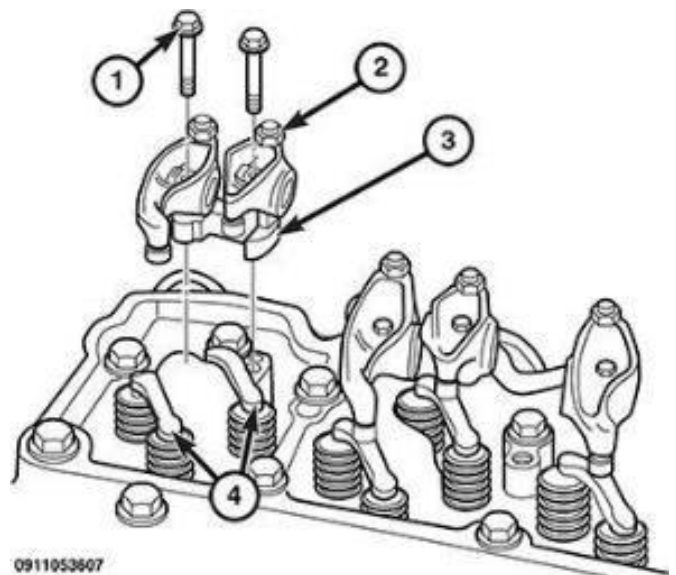
8. Slowly loosen the injector hold down clamp bolts.

Sequentially turn one bolt counterclockwise 1 rotation, then switch to the other bolt, repeat.



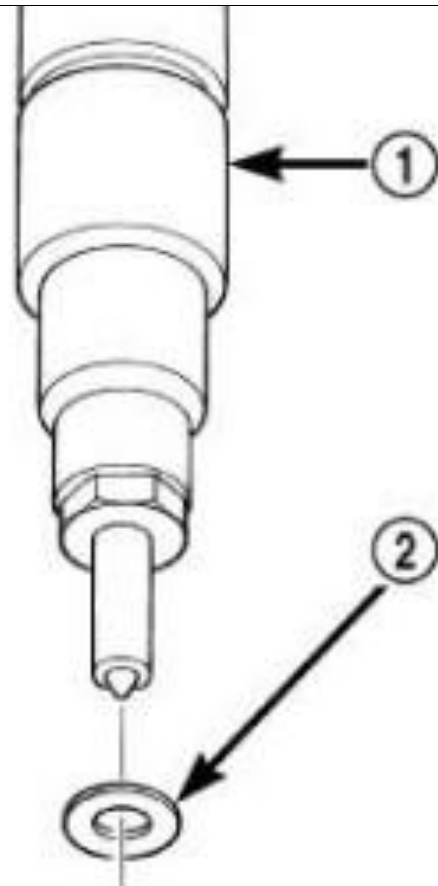
9. Remove the bolts, rocker arms, pedestals, and crossheads from the cylinder head.

Note: Mark each component so they can be installed in their original position.



10. Ensure the fuel injector sealing washer has been removed and has not remained in the injector bore.

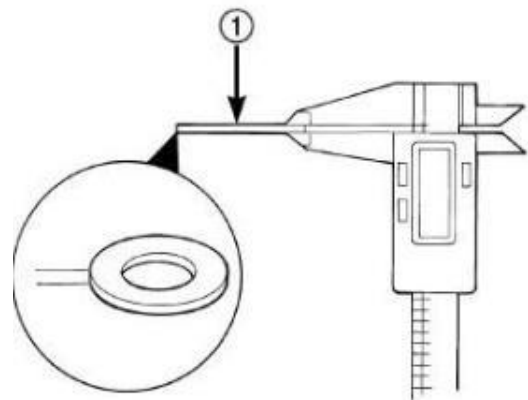
Discard the used seal, a new washer seal will need to be used.



## Installation

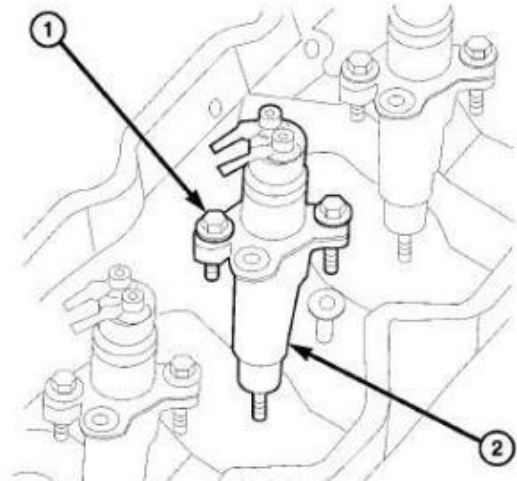
1. Measure the copper washer thickness, (.060"). Apply a light coating of clean engine oil to the washer to keep it in place during installation. Ensure the new copper sealing washer is installed on the injector.

Apply a small amount of clean engine oil to the O-ring and injector bore and then seat the injector into the cylinder head.

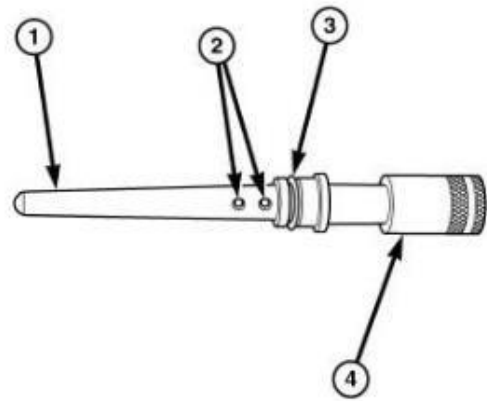


2. Follow the tightening sequence listed in steps a-f below. The connector tubes must be seated in the center of the injector and perpendicular to the injector to seal properly.

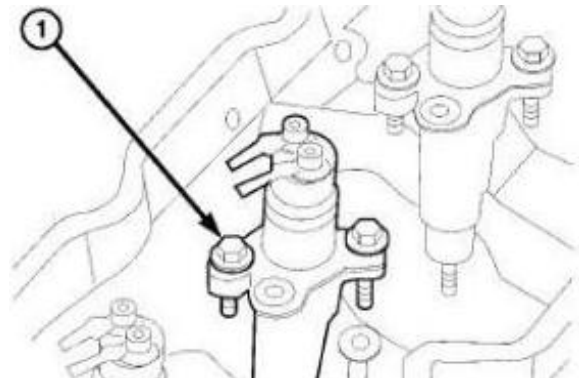
- a. Seat the fuel injector into the cylinder head.
- b. Ensure both bolts are threaded in evenly, preliminarily tighten down the two injectors hold down bolts to 44 **in-lb**.
- c. Relieve bolt torque, but leave both bolts threaded in place.



- d. By hand, thread in the fuel injector connector tubes to ensure the fuel injector is centered and perpendicular to the connector tube. You can gently rotate the injector until the connector tube is correctly positioned. Do a preliminary tightening of the connector tube nut to 133 **in-lb**.

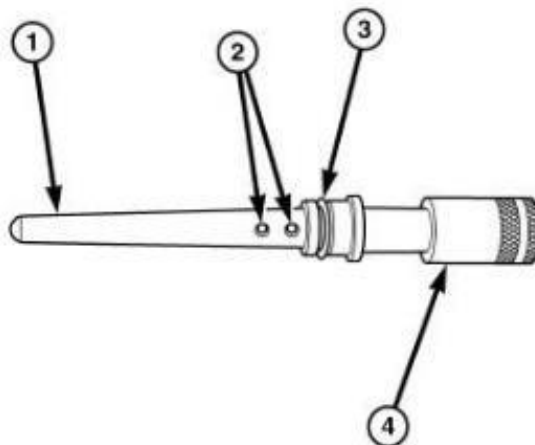


- e. Alternating tightening sequence, tighten the injector hold-down bolts to 71 **in-lb**.



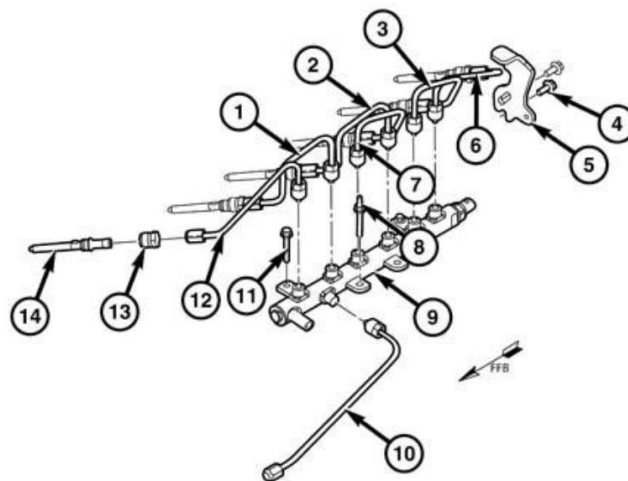
- f. Do a final tightening of the fuel injector tube nut.

Tighten to 41 **ft-lb**.



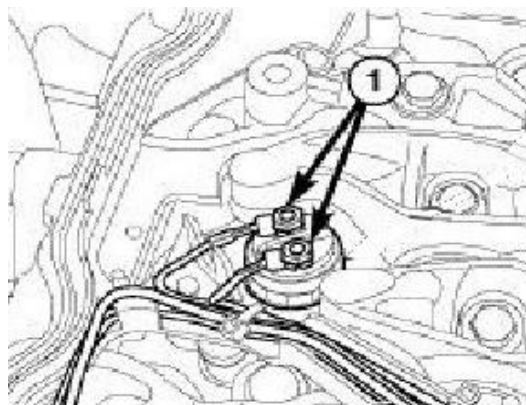
- 3. Install the correct fuel tubes to the correct injectors on the engine. Ensure each fuel line is free from debris and the sealing surfaces are in good condition.

Bracket (No. 5) must be loosened to install fuel tube No. 6. After all tubes are installed, torque the bracket (No. 5) to 32 **ft-lb**.

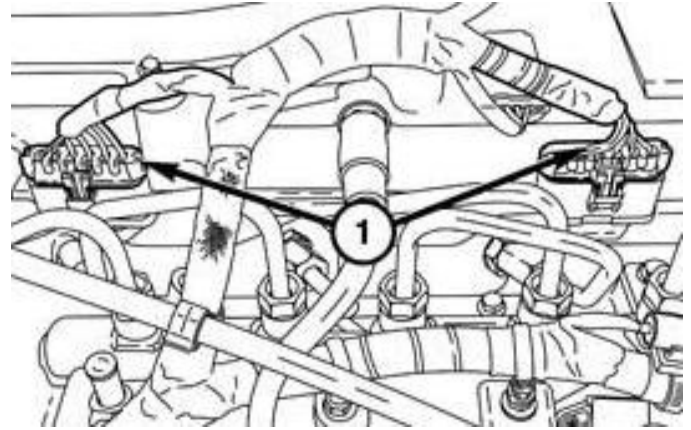


- 4. Connect the fuel injector solenoid wires and nuts to the top of the injectors. Tighten the connector nuts to 13 **in-lb**.

**Note:** Be very careful not to overtighten these nuts as damage to fuel injector will occur

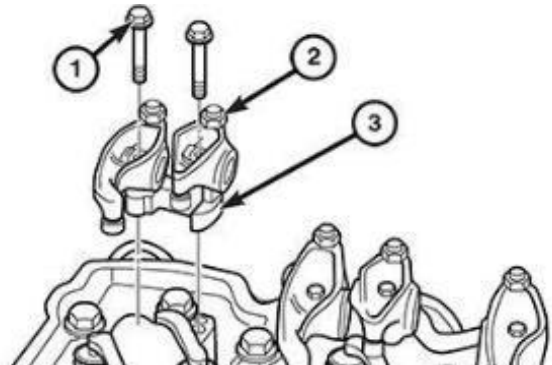


5. Reconnect both fuel injector harness connectors.



6. Install the intake and exhaust rocker arm assemblies.

Torque bolts to 27 **ft-lb**.



7. Ensure valve lash is within OEM specifications.

|      | Intake | Exhaust |
|------|--------|---------|
| MIN  | .006"  | .021"   |
| PREF | .010"  | .026"   |
| MAX  | .015"  | .034"   |



8. Reinstall rocker housing and cylinder head cover.

Connect both negative battery cables.

9. Apply the CARB EO decal underneath the hood next to the factory emissions label as indicated.



**IMPORTANT** Only for applicable models as listed on the front page of this installation manual



1. Program the injector using a scan tool. The 6 digit IMA / IQA code can be found on the injector solenoid nut and sticker provided in the box.



**Note:** IMA code programming only required for 2007-2012 vehicle models with stock injectors (1715518/1725518).

