

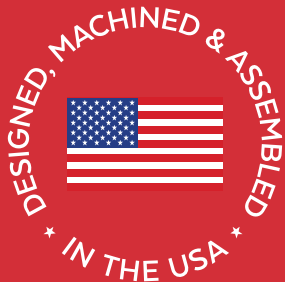


L5P Duramax Drop-In Filtration System

INSTALLATION MANUAL

DIFSL5P1001

**DURAMAX L5P
Crew Cab Short Bed
2017-2019
Crew Cab Long Bed
2017-2024**





www.fassride.com

(866) 769.3747

Thank you for choosing FASS, from Diesel Performance Products, Inc.

FASS specializes in building extremely high-quality fuel products. We have earned an unsurpassed reputation for excellence in our industry by using only the highest-quality American-made components. In order to support our American workers and our American economy, more than 98+ percent of our products are manufactured completely in the United States.

Of course, that dedication to excellence comes at a price, but it is important to remember that price does not dictate quality-quality dictates price! We will never compromise by using cheaper, foreign-made components, like so many of our competitors do.

Customer satisfaction is our top priority and we strive always to provide outstanding customer service. Our Research and Development department, in conjunction with our Dealer Support Department, continually searches for ways to improve quality, expand our product line, and provide superb support. Our exclusive ViP Network ensures that customers receive the proper products and support at the local level. The extended lifetime warranty is only available on products purchased from the network. There is no warranty on products not purchased outside the network.

IMPORTANT:

In order to qualify for the lifetime extended warranty, your product registration form and proof of purchase from an authorized dealer must be submitted to FASS Fuel Systems within 30 days of purchase. Failure to comply will void the warranty. We have the right to deny any warranty believed to be false, altered or purchased through an unauthorized or terminated dealer. A current list of authorized dealers can be found on our website, FASSRide.com.

The complete conditions of the Limitation of Warranty can be found in the back of this manual, and FASSRide.com.

**For more information,
contact Technical Support:
Diesel Performance Products, Inc.
16240 State Hwy O, Suite B
Marthasville, MO 63357
636-433-5410**



WARNING!

This product has NO WARRANTY unless:

1. It has been purchased from an **Authorized or **ViP FASS Dealer**. If in doubt, check www.FASSRide.com.**

2. It is registered within thirty (30) days of purchase.

Other conditions may apply. Please see full warranty information.

***NOTE:* Warranty is **void** if product was purchased below FASS website advertised pricing.**

ATTENTION!

Before you begin installation

Register for your Warranty ONLINE at

<https://www.fassride.com/register-a-warranty/>

No online access, call our TECH Support at

1-866-769-3747

FOLLOW THESE STEPS TO ENSURE A SIMPLE, CORRECT INSTALLATION OF YOUR NEW TITANIUM FUEL SYSTEM

ATTENTION:

Be sure to identify the proper FASS System and fuel line configuration. For help, our product finder can be found at www.FASSride.com. Follow the instructions to see fuel line detail.

- 1** Be sure the serial number on this installation manual matches that on the outside of the box.
- 2** Pay close attention to ALL WARNINGS
- 3** Read all instructions before starting installation of this product.
- 4** Inventory the package components. Notify the place of purchase immediately of any parts missing or damaged.
- 5** The installation recommendations contained herein are guidelines. Use good judgment and take into consideration your vehicles' accessories.
- 6** For best results in accuracy and efficiency (due to training, communication, and our relationship with our dealer network), we recommend a VIP FASS dealer for the installation. They are prepared to install the FASS fuel pumps with the most efficiency. If a situation or problem arises during the installation, the dealer is prepared to handle it. Diesel Performance Products, Inc. is not responsible for any installation mistakes.
- 7** If you have any questions or concerns that cannot be addressed with your dealer, email or call FASS.

If any installation procedure is uncertain, contact FASS technical support. Call customer service at 636-433-5410, or send us an e-mail: techsupport@FASSride.com with the following information:

Your name, address and daytime phone number Model

DIFSL5P1001

Serial Number

Last 6 digits of vehicles' VIN

Date of purchase

Nature of Your Concern

Serial number





ATTENTION!

The Drop-In Series System for the L5P Duramax was designed to mount in the OEM water separator location and may not work with aftermarket fuel tanks that have greater fuel capacity than the stock tank.

YOU MUST VERIFY THAT THERE IS ADEQUATE SPACE TO MOUNT THE DROP-IN SERIES FASS SYSTEM IF YOU HAVE AN AFTERMARKET FUEL TANK!!

INSTALLATION MANUAL

DIFSL5P1001

(Installation Videos are available at
www.fassride.com)

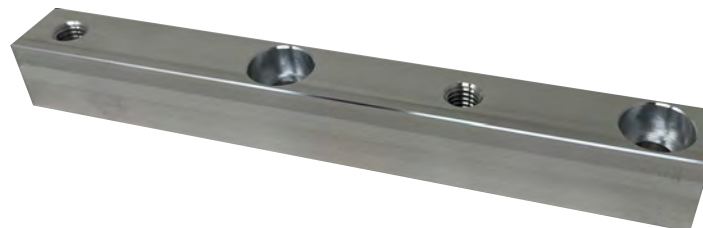
- 1. Read all instructions before starting installation of this product!**
- 2. Installing the improper FASS Pump can cause severe engine damage.**
- 3. Secure vehicle from ROLLING!**
- 4. Consult vehicle's manufacturers' instructions concerning the electrical system before attempting any electrical connections.**
- 5. Be sure that the serial # on this installation manual matches that of the outside of the box.**
- 6. Flush and clean all brass fittings and fuel line from debris.**
- 7. Keep debris from entering the internals of the system during installation. Getting debris in the water separator nipple can lock up the motor. If the motor does lock up from debris call FASS for technical assistance.**
- 8. Wear safety glasses when operating power tools such as drills and grinders or when using a punch or chisel.**
- 9. Properly secure lines to prevent chaffing.**

CONTENTS

NOTE: Owner's Manual available for download on our website, www.FASSride.com



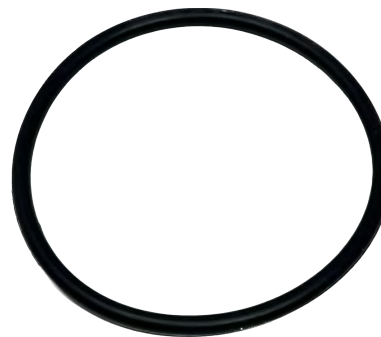
MP-9090



L5P-ADP-BRK-1001



FL-1010 x 16"



WIF SENSOR O-RING

MOUNTING PACKAGE CONTENTS



8-ORB-500-QC



10-ORB-500-QC



375-QC-1E-NPT



PL-1011



PL-2001

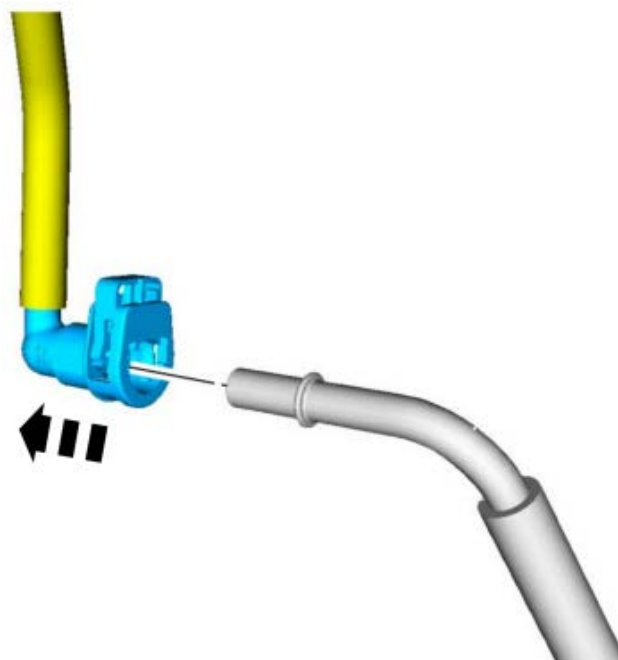
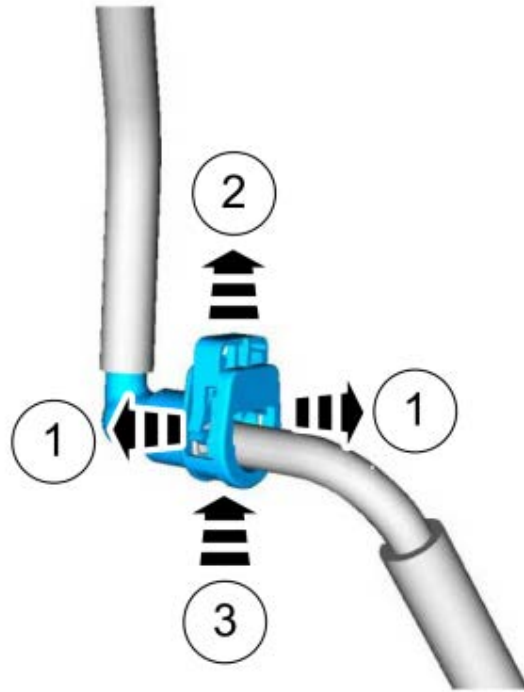


THREE (3) 94051

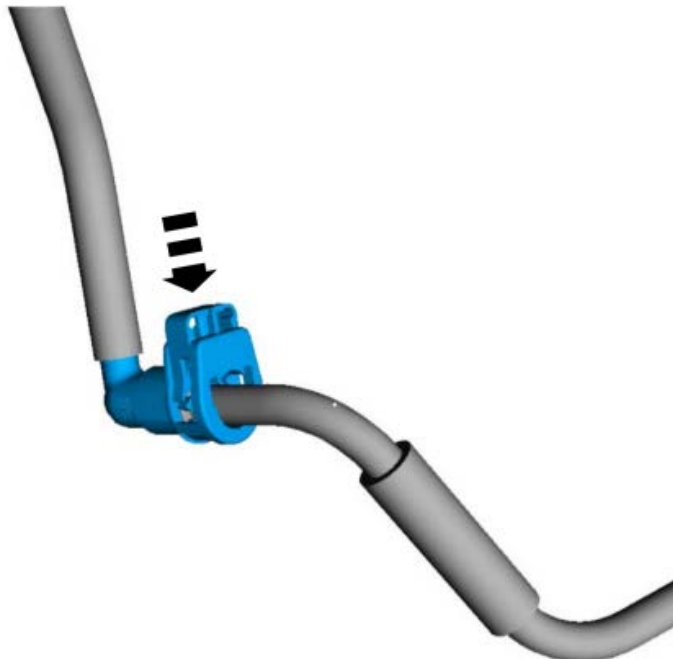
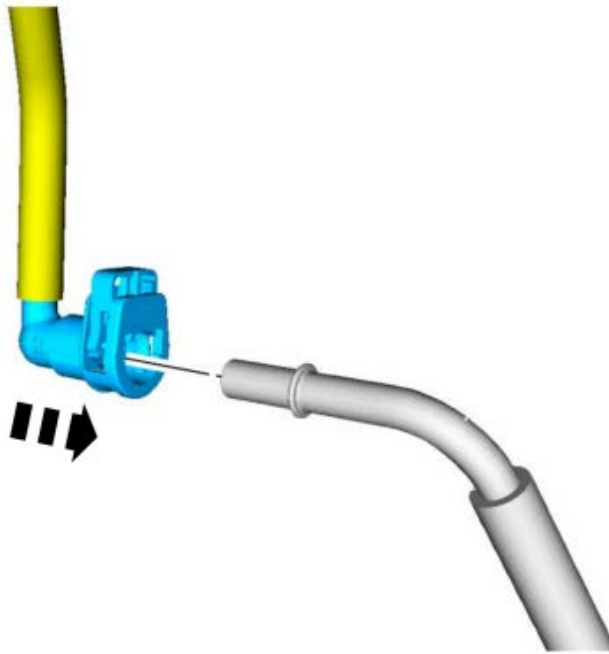


TWO (2) 0135936

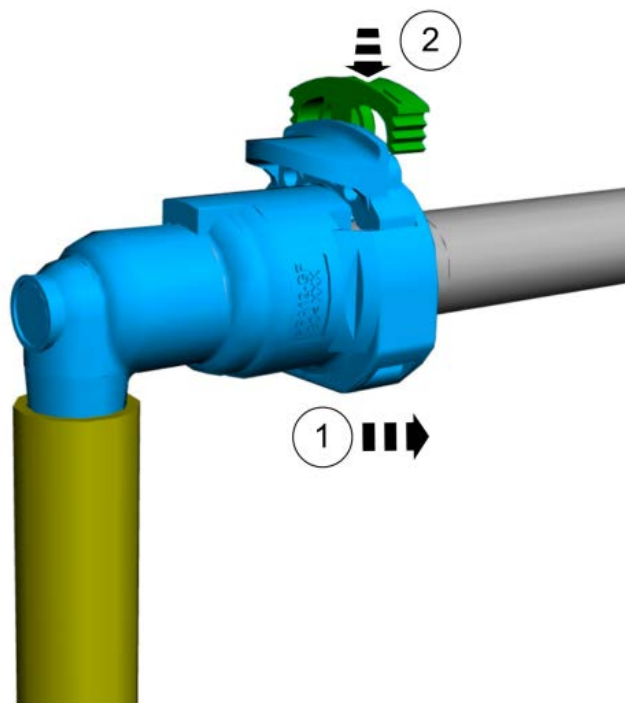
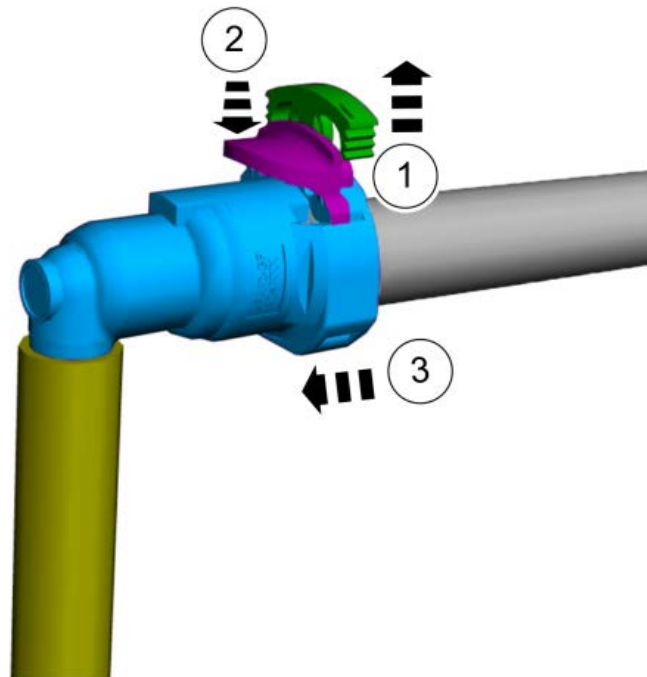
The images below show the proper steps for disconnecting and connect the quick-connect style fuel lines.



The images below show the proper steps for disconnecting and connect the quick-connect style fuel lines.



The images below show the proper steps for disconnecting and connect the quick-connect style fuel lines.



- A. Place a drain pan under the OEM fuel filter assembly and drain the water separator.



- B.** Release the locking tab and disconnect the electrical connector and both fuel line connections.



C. Using a socket, remove the water separator cap.



D. Using a 13mm ratchet wrench, remove the two bolts securing the filter housing to it's bracket. To remove the filter housing, push upward to release the housing from it's bracket.



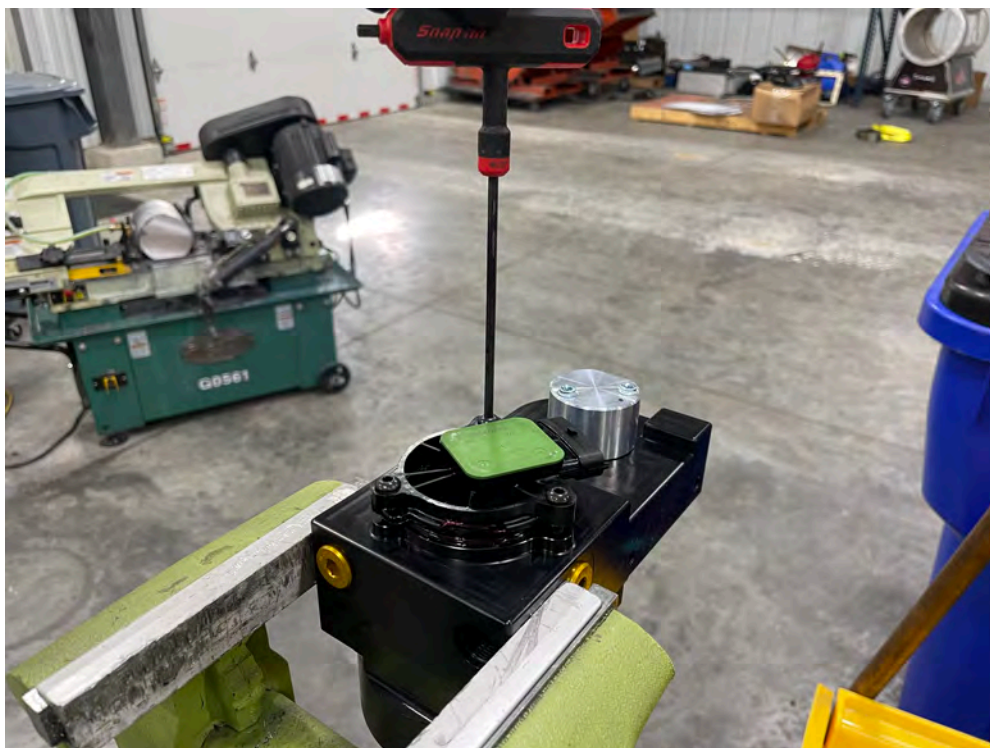
E. Remove the three torx screws from the WIF sensor, then gently remove the WIF sensor from the filter housing.



F. Remove the old WIF sensor o-ring and replace it with the supplied o-ring.



G. Before installing the WIF sensor, thoroughly grease the o-ring. Using the three supplied allen screws, slowly secure the WIF sensor in a circular pattern until the WIF sensor is fully seated. **NOTE THE LOCATION OF THE WIF SENSOR CONNECTOR!!**



**VERIFY THE WIF SENSOR CONNECTOR IS IN THE
CORRECT POSITION!!**



H. Install 10-ORB-500-QC into the fuel manifold and 8-ORB-500-QC into the open port on the rear of the filter base. Tighten both fittings accordingly.



I. Using the two supplied 8mm bolts, secure L5P-ADP-BRK-1001 to the filter base as shown. Tighten accordingly.



J. Apply thread tape to the threads of PL-1011, place into 375-QC-1E-NPT and tighten accordingly.



K. Using grease, place FL-1010 onto PL-1011.



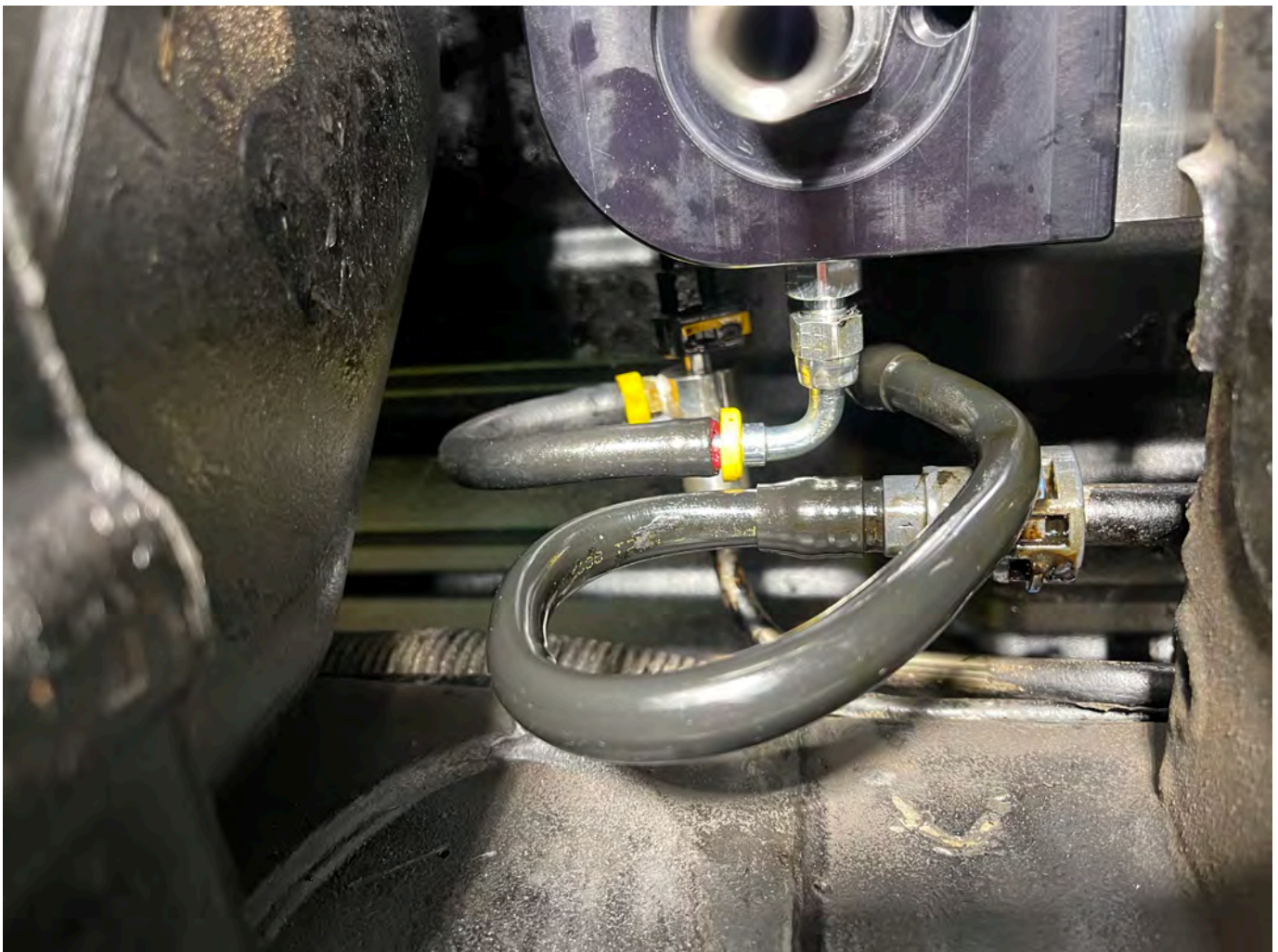
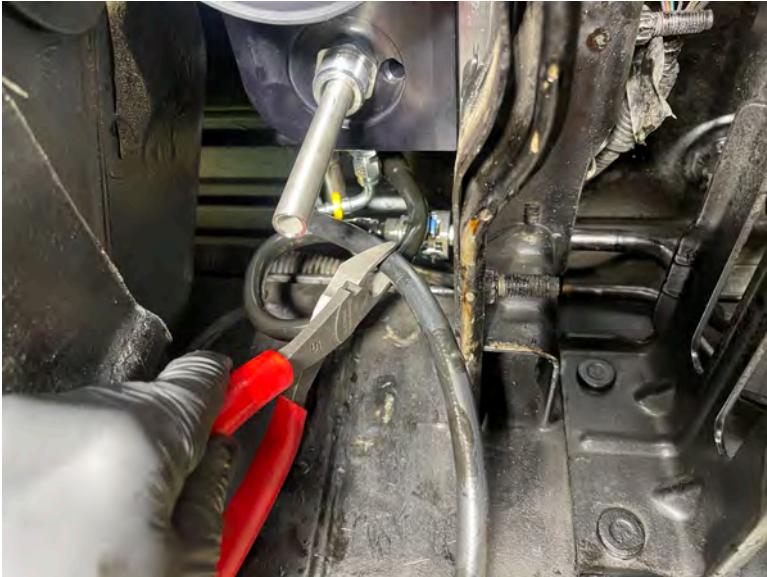
L. Install 375-QC-1E-NPT onto the fuel return line as shown. Be sure the locking clip is fully seated on the fuel line after it is installed!



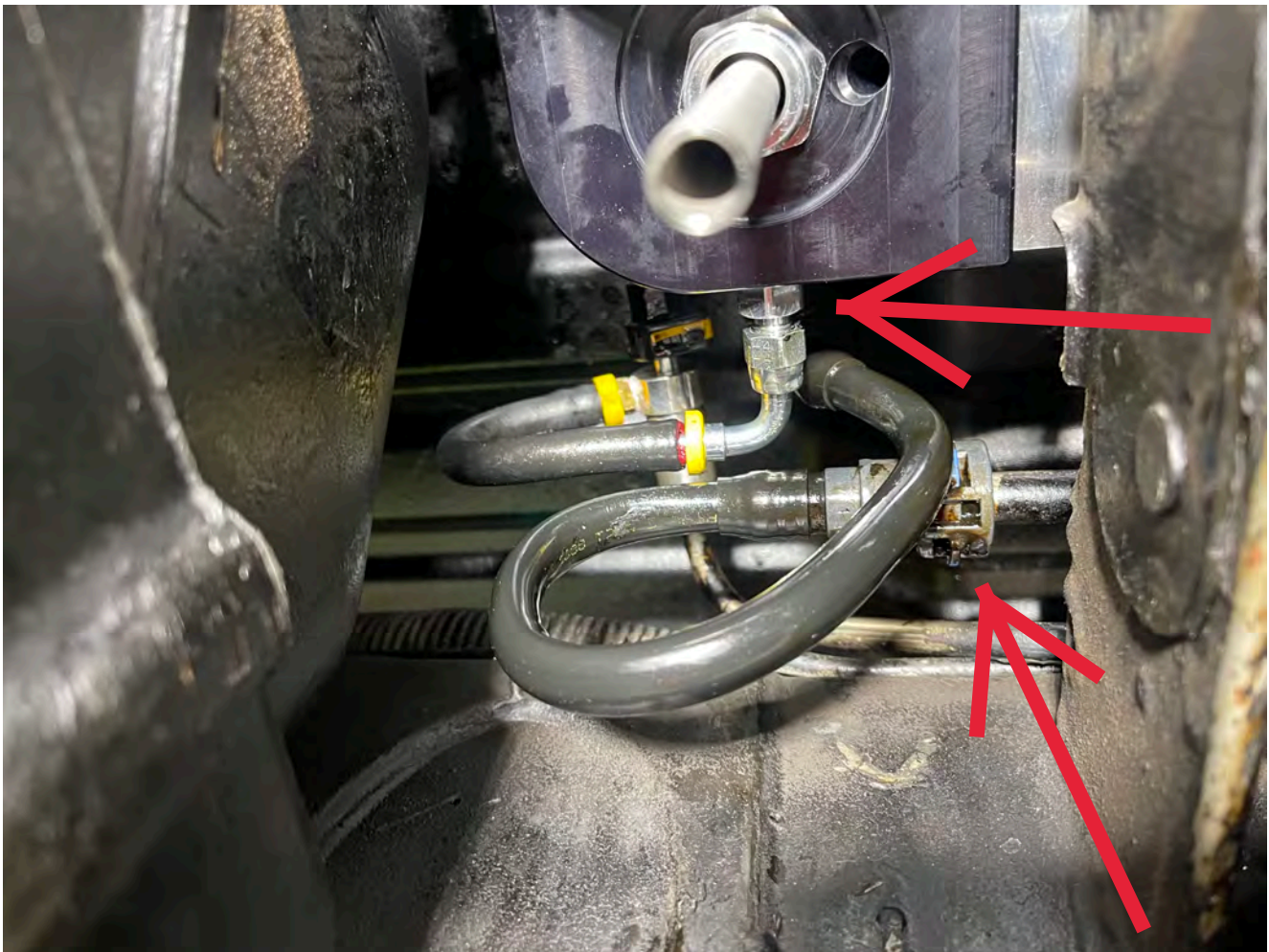
M. Using the factory mounting bolts, secure the FASS assembly to the factory mounting bracket. Tighten the two bolts accordingly. Connect the WIF sensor electrical connector. It might be necessary to remove the harness from the frame secure point to gain additional length.



N. Place PL-2001 onto the FASS return port, then measure and cut FL-1010 to length. Remove PL-2001 from the FASS and install it into FL-1010 using grease. Install PL-2001 onto the FASS and tighten accordingly.



O. Connect the engine feed line to 10-ORB-500-QC. It might be necessary to disconnect the small plastic section of line from the frame-mounted hard line to get it to connect to 10-ORB-500-QC. Be sure both locking clips are secured.



P. Apply grease to the XWS-3002 o-ring, install onto the FASS System and tighten according to the instructions located on the filter.



Q. Install a new water separator into the FASS System, be sure to grease the o-ring prior to installation. Tighten accordingly.



R. Connect the fuel inlet line to the 8-ORB-500-QC and secure the locking clip.



S. Turn the key to the "run" position for a few cycles to prime the FASS System, then start the truck and check for leaks.





www.fassride.com

(866) 769.3747

LIMITATION OF LIFETIME WARRANTY

Disclaimer: To help insure you receive the proper system and customer support at the local level, FASS has a VIP and Authorized Dealer network representing FASS products. This is one reason you must purchase through a dealer to comply with our warranty policies. If you do not, there is no warranty! We recommend you go to www.FASSride.com, click "Find a Dealer", put in their ZIP code, select the type of dealer, and see if the company you purchased from is listed. If they are not, put their phone number in the field below the ZIP code field to see if they are listed. Below these two fields is a list of "Terminated/Unauthorized" dealers. You may want to review this list. If the company is not listed or is on the "Terminated/Unauthorized" list, we suggest you return the product immediately to that dealer and call FASS. We'll recommend you to the nearest dealer.

Diesel Performance Products, Inc. (hereafter "SELLER") gives Limited Warranty as to description, quality, merchantability, fitness for any product's purpose, productiveness, or any other matter of SELLER'S product sold herewith. The SELLER shall be in no way responsible for the product's open use and service and the BUYER hereby waives all rights other than those expressly written herein. This Warranty shall not be extended or varied except by a written instrument signed by SELLER and BUYER.

When MANUFACTURER receives the "ORIGINAL" PRODUCT REGISTRATION form with a copy of the "BILL OF SALE/SALES RECEIPT" within 30 days of the sale, then the following applies! The Warranty will then and only then be validated to that of which typically accompanies your unit for your specific application from the date of sale or for recommended service life and limited solely to the original purchaser and/or vehicle and parts contained within the product's kit. This warranty does not cover normal wear on consumable items such as but not limited to filters, fuel line, wire harness & etc. The warranty does not cover seized gears due to lack of filtration. Warranty is voided if used with other than diesel fuel. Returned items will arrive prepaid to the place of purchase. Diesel Performance Products, Inc. will repair, without cost, any product found to be defective during the warranty period; parts only, or at its option, will replace such products in exchange for the product. Repair or replacements are warranted for the remainder of the original warranty period. All Warranty claims are subject to approval by Diesel Performance Products, Inc.

A Return Material Authorization (RMA) number must be obtained before any product is to be returned to Diesel Performance Products, Inc. for warranty consideration, repair or product return. Requests for product returns must be offset by an equal value order. Return parts must be completed and in resalable condition. No returns after 30 days.

Your Name, Address, and Phone Number's

Model and Serial Number (Not Motor Number) Example: Model HD Series, Serial: 00125966 VIN Number of Vehicle

Date of Purchase

Nature of Problem

RMA and Product Serial Number must be on all paperwork and correspondence. Failure to obtain the required information or paperwork will result in \$25.00/item penalty and delay or denial of any warranty claim.

Under no circumstances shall the SELLER and/or MANUFACTURER be liable for any labor charged or travel time incurred in diagnosis for defects, removal, or reinstallation of this product, or any other contingent expenses.

Under no circumstances shall the SELLER and/or MANUFACTURER be liable for any damage or expenses insured by reason of the use or sale of any such equipment. This warranty does not apply to products which Diesel Performance Products, Inc. has determined to have been misused or abused, improperly maintained by the user, or where the malfunction or defect can be attributed to the use of non-genuine Diesel Performance Products, Inc. parts.

IN THE EVENT THAT THE BUYER DOES NOT AGREE WITH THIS AGREEMENT: THE BUYER MAY PROMPTLY RETURN THIS PRODUCT, IN A NEW AND UNUSED CONDITION, WITH A DATED PROOF OF PURCHASE, TO THE PLACE OF PURCHASE WITHIN THIRTY (30) DAYS FROM DATE OF PURCHASE FOR A FULL REFUND LESS SHIPPING.

THE INSTALLATION OF THIS PRODUCT INDICATES THAT THE BUYER HAS READ AND UNDERSTANDS THIS AGREEMENT AND ACCEPTS ITS TERMS AND CONDITIONS.