

DIESEL_{RX}

UNIVERSAL FUEL SUMP KIT



TABLE OF CONTENTS

SUPPLIED PARTS LIST.....	3
TOOLS NEEDED.....	4
STEP ONE: PREPARATION.....	5
STEP TWO: MARK AND DRILL HOLE LOCATIONS.....	6
STEP THREE: MOUNTING THE SUMP TO THE TANK.....	9
STEP FOUR: INSTALLING THE FITTINGS AND ROUTING THE FUEL LINE.....	12
WARRANTY.....	15

SUPPLIED PARTS LIST

QUANTITY	DESCRIPTION	PART NUMBER	PHOTO
1	Sump Bowl	001-SU-0001	
2	Sandwich Plate	001-SU-0002	
10	1/4-20 X 1.25" SHCS	1L-2520-125	
10	1/4" Sealing Washer	1P-5-FS	
1	232 Viton O-ring	1U-2-1-232	
1	242 Viton O-ring	1U-2-1-242	
1	JIC #8 Swivel Female to 1/2" Barb Fitting	4A-1-09-08-08-B	
1	JIC #8 Male to 3/8" NPT Male Fitting	4A-1-02-08-06-S	
1	Thread Locker/Sealant	7B-2-01-003	
4	1/4-20 X 1.25" Set Screw	1M-2520-125	
1	Hole Template Sheet	N/A	N/A

TOOLS NEEDED

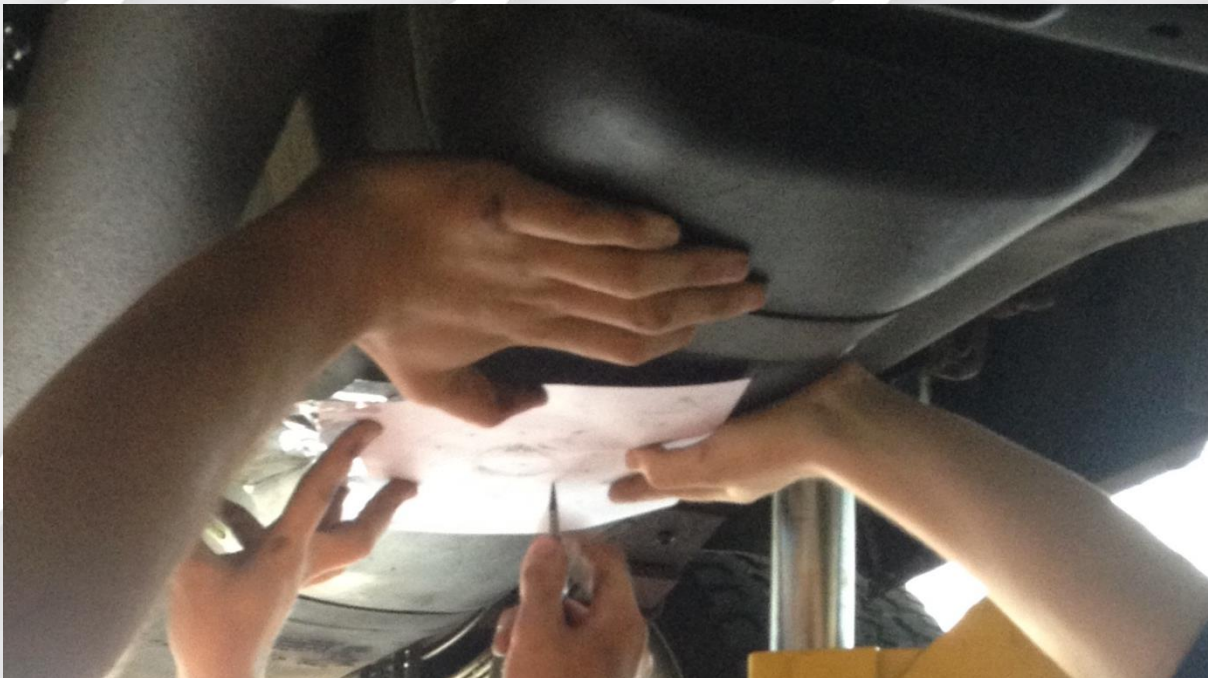
1. Drill
2. 2" Hole Saw
3. Cleaner/Degreaser (To clean the bottom of the tank)
4. Tape (To tape template to tank)
5. Bucket (To catch excess fuel from tank)
6. Center Punch (Auto Center Punch recommended)
7. 17/64 Drill Bit
8. 3/16 Allen Wrench
9. 1/8 Allen Wrench

STEP ONE: PREPARATION

1. Run the fuel as low as possible.
2. Park vehicle on a level surface and apply the parking brake. If vehicle is jacked in the air, be sure to use jack stands or make sure vehicle is secure if using a lift.
3. If truck has 1/4 tank issue and an AirDog® or other aftermarket lift pump is installed, disconnect the fuel line to engine and run to a bucket and run the lift pump to suck as much fuel out of the tank as possible.
4. Choose a location for the Diesel Rx® Sump to be installed. The location should be the lowest part of the fuel tank and must be as flat as possible (no curved areas).
5. Using a cleaner/degreaser, clean the chosen surface of all debris/oils.

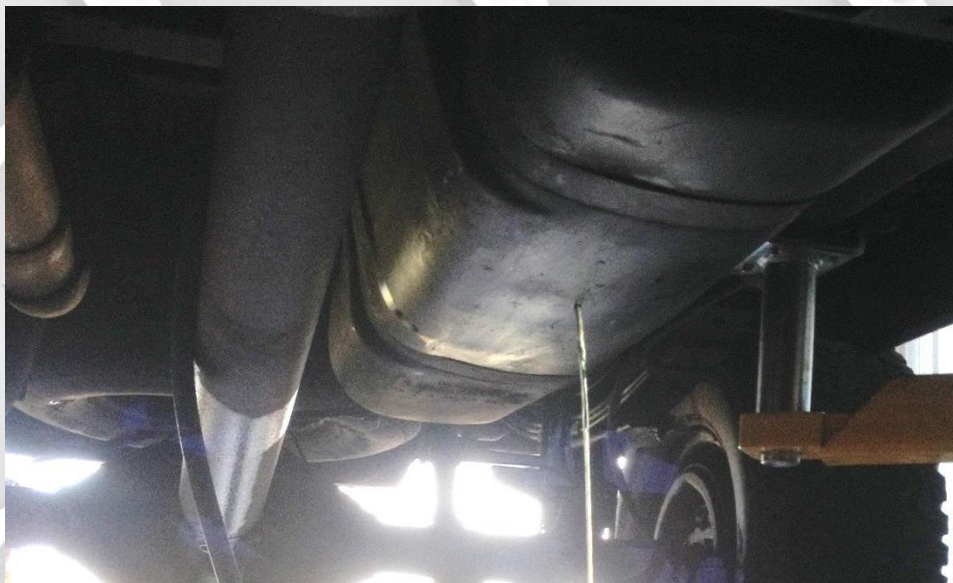
STEP TWO: MARK AND DRILL HOLE LOCATIONS

1. Tape the hole template to the chosen location.
2. Use a punch to mark the center of the 2" diameter hole.



STEP TWO: MARK AND DRILL HOLE LOCATIONS (CONT'D)

3. Use the drill with a 2" hole saw to start the center hole that you marked with the punch. Once the alignment bit pierces the tank, let the excess fuel drain into a bucket before continuing.



STEP TWO: MARK AND DRILL HOLE LOCATIONS (CONT'D)

4. Once the fuel has finished draining, continues drilling the 2" diameter hole with the drill and 2" hole saw. Be sure to keep the drill as vertical as possible.



5. Hold the sump bowl (P/N 001-SU-0001) up to the 2" diameter hole until the lip of the bowl fits inside the hole. Align the sump in the desired direction.



STEP TWO: MARK AND DRILL HOLE LOCATIONS (CONT'D)

6. Use the drill with the 17/64 drill bit and drill the first bolt hole using the sump as a template. Be sure to keep the drill as vertical as possible.



7. Push one 1/4-20 X 1.25" socket head cap screw (P/N 1L-2520-125) through the hole to keep the sump from spinning/moving as the rest of the bolt holes are drilled as vertical as possible.



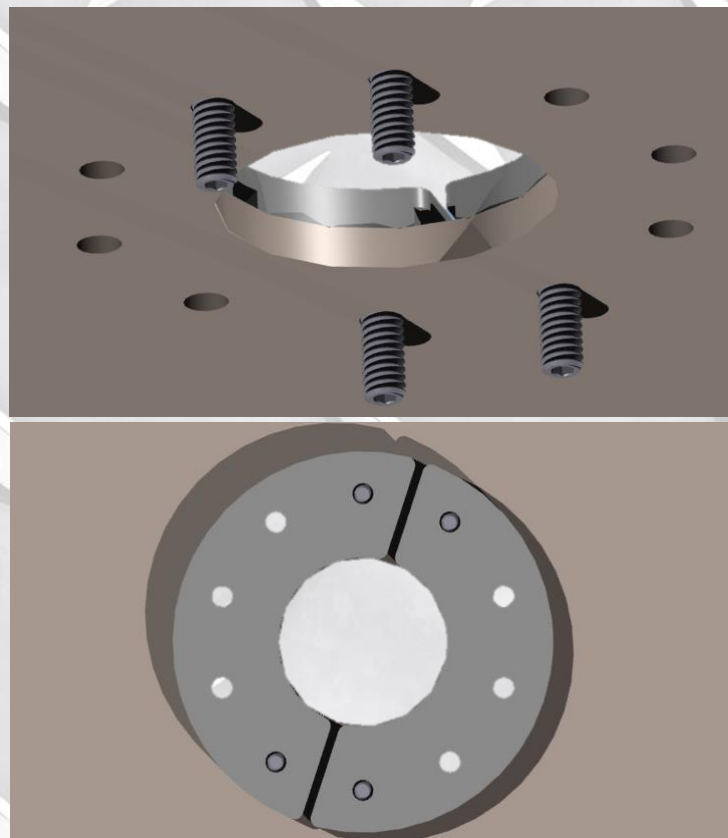
8. Remove the cap screw and sump bowl. Clean the debris out of the tank using a rag and your hand. Clean up any burrs left from drilling. It is up to the customer to remove the debris from the tank. A fuel tank cleaning is recommended to avoid premature clogging of fuel filters.

STEP THREE: MOUNTING THE SUMP TO THE TANK

1. Install the two sandwich plates (P/N 001-SU-0002) with the grooves facing down. Pass the plates through the 2" diameter hole for install.



2. Align the sandwich plates and install the 1.25" set screws (P/N 1M-2520-125) as shown below. The set screws can be threaded in by hand or with the 1/8 allen wrench.

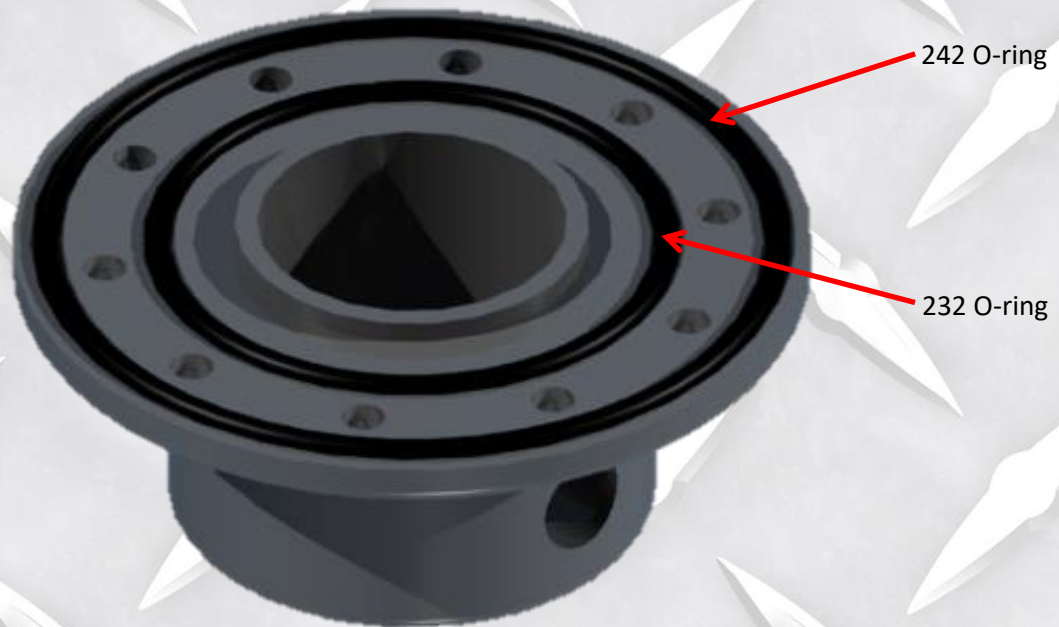


Bottom View

Top View (Not Visible/For Illustration Purposes Only)

STEP THREE: MOUNTING THE SUMP TO THE TANK (CONT'D)

3. Install the two supplied O-rings (P/N 1U-2-1-232 and 1U-2-1-242) and install them in the O-ring grooves in the sump bowl as shown. FAILURE TO PROPERLY INSTALL THE O-RINGS WILL RESULT IN FUEL LEAKS!

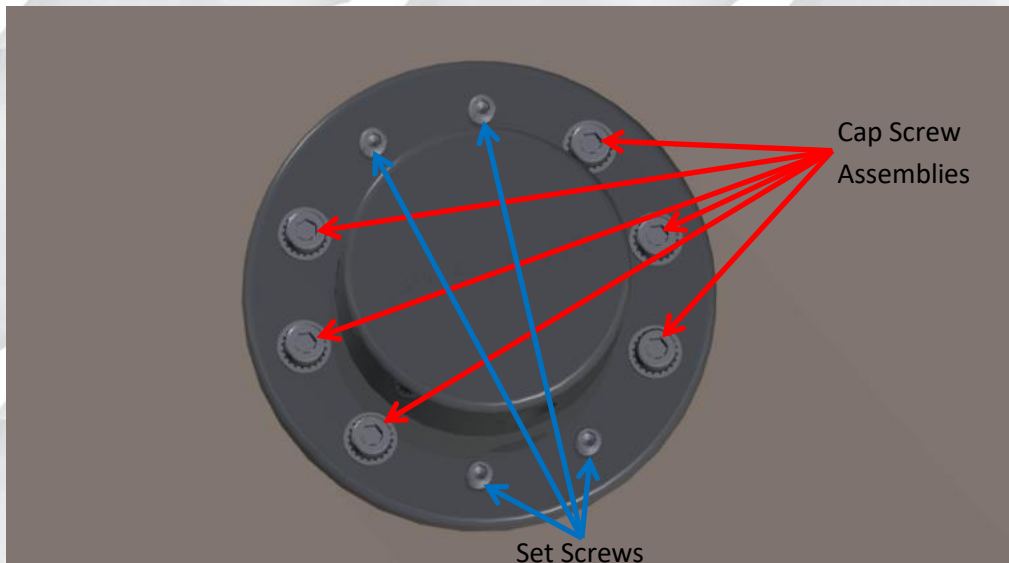


4. Prepare the cap screws (P/N 1L-2520-125) by installing the sealing washers (P/N 1P-5-FS) as shown below.



STEP THREE: MOUNTING THE SUMP TO THE TANK (CONT'D)

5. Align the sump bowl, in the desired orientation, over the installed set screws and start the prepared cap screws in the remaining open six holes. Finger-tighten the cap screws ONLY at this stage with the 3/16 allen wrench. BE SURE TO NOT CROSS-THREAD THE CAP SCREWS!

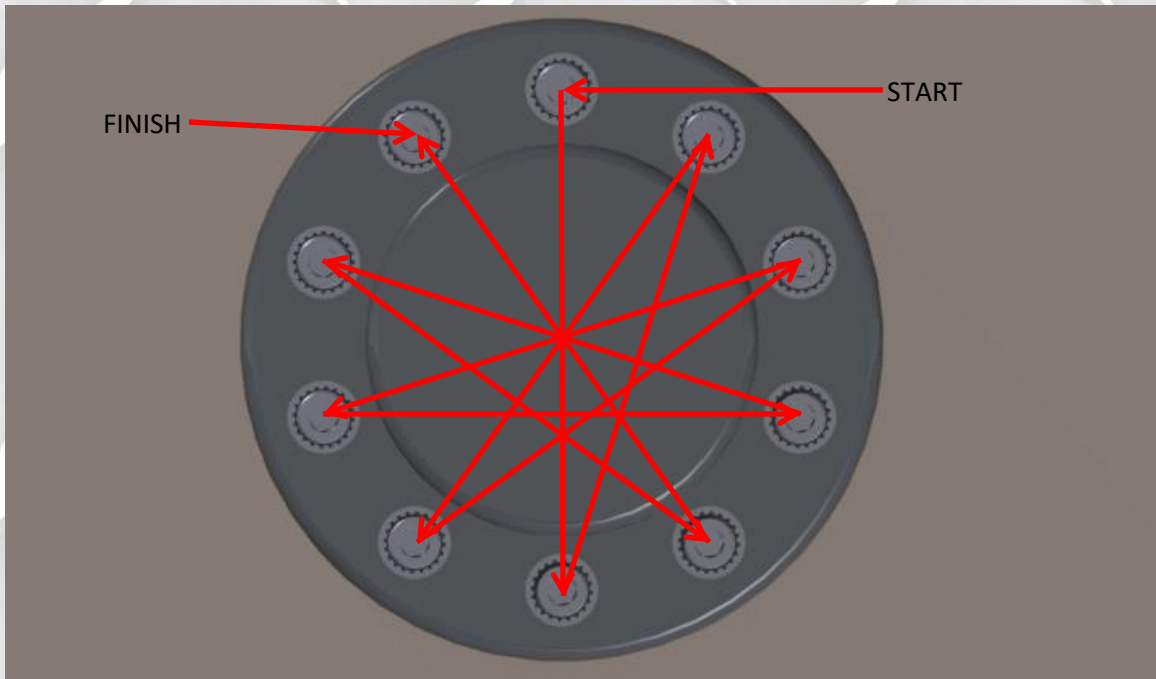


6. Using the 1/8 allen wrench, remove the four set screws from the sump and install four cap screw assemblies in their place. Again, finger tighten with the 3/16 allen wrench.



STEP THREE: MOUNTING THE SUMP TO THE TANK (CONT'D)

7. Tighten the cap screws in a crisscross pattern. DO NOT OVER TIGHTEN!
OVERTIGHTNING MAY STRIP THE THREADS OUT OF THE ALUMINUM SANDWICH PLATE! The sump flange should sit flush with the tank when properly tightened.



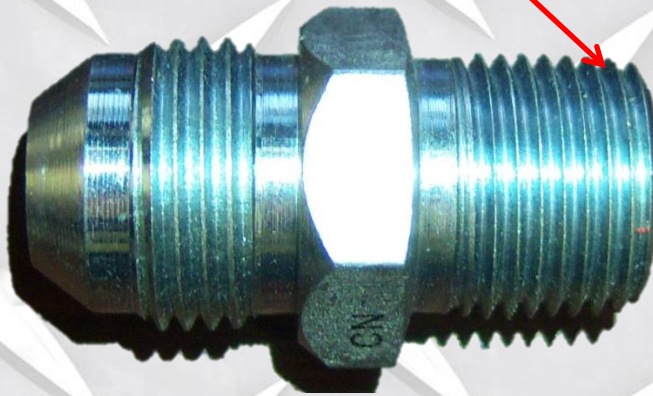
STEP FOUR: INSTALLING THE FITTINGS AND ROUTING THE FUEL LINE

1. Apply the thread locker/sealant (P/N 7B-2-01-003) to the 3/8 NPT port in the sump.



STEP FOUR: INSTALLING THE FITTINGS AND ROUTING THE FUEL LINE (CONT'D)

2. Install the JIC #8 Male to 3/8" NPT Male Fitting (P/N 4A-1-02-08-06-S) into the 3/8 NPT port. Apply the thread locker/sealant to this fitting as well.



3. Press the barbed end of the JIC #8 Swivel Female to 1/2" Barb Fitting (P/N 4A-1-09-08-08-B) into a diesel approved fuel line.



STEP FOUR: INSTALLING THE FITTINGS AND ROUTING THE FUEL LINE (CONT'D)

4. Install the JIC #8 Swivel Female to 1/2" Barb Fitting onto the JIC #8 Male to 3/8" NPT Male Fitting as shown below.



5. Connect the other end of the 1/2" fuel line to the inlet of the stock lift pump or AirDog®/other aftermarket lift pump.
6. Be sure to rout the fuel line away from any exhaust or moving parts. Keep the fuel line as close to the frame/body as possible to avoid being snagged.
7. Let the thread locker/sealant set for 30 min or so before filling the fuel tank.
8. Fill the fuel tank.
9. Periodically check the sump for fuel leaks.



1 YEAR LIMITED EXPRESS WARRANTY
FOR
UNIVERSAL FUEL SUMP KIT (DRX09SMP)

DIESEL Rx (hereafter collectively, "SELLER") warrants and guarantees only to the Original Purchaser (hereafter collectively, BUYER) that the DIESEL Rx UNIVERSAL FUEL SUMP KIT (hereafter collectively, PRODUCT) shall be free from defects of materials and workmanship in the manufacturing process for 1 (one) year from date of purchase.

The 1 Year Limited Express Warranty is limited to the PRODUCT purchased by the original BUYER of the PRODUCT and limited solely to the parts contained within the PRODUCT and EXCLUDES ALL ELSE. Any PRODUCT that is in question of Warranty must be returned, shipped prepaid, to PureFlow AirDog. All Warranty claims are subject to the approval of DIESEL Rx. If it is determined that a Warranty claim exists, DIESEL Rx will, at its sole discretion, replace the defective PRODUCT with a comparable PRODUCT, or repair the defective PRODUCT. Repairs or replacements are warranted for only the remainder of the original warranty period and only to the original BUYER.

Under no circumstances shall the SELLER be liable for any labor charged or travel time incurred in the diagnosis for defects, removal, or reinstallation of the PRODUCT, or any contingent expense.

Under no circumstances will the SELLER be liable for any damage or expense incurred by reason of the use or sale of the PRODUCT.

Other than expressly set forth herein, the SELLER shall in no way be responsible for the proper or improper use and service of the PRODUCT. In no event shall the SELLER be liable for any special, incidental, indirect or consequential damages of any kind or nature, whether or not the BUYER of the PRODUCT was advised of the possibility of damage or harm, arising or resulting from the use or performance of the PRODUCT and BUYER hereby waives the right to any and all such claims.

BUYER, acknowledges that he/she is not relying on SELLER'S skill or judgment to select or furnish goods suitable for any particular purpose and that SELLER has no liability that will extend beyond the scope of the LIMITED EXPRESS WARRANTY contained herein, and BUYER hereby waives all remedies or liabilities, expressed or implied, arising by operation of law or otherwise.(including, without limitation, any obligation of SELLER with respect to fitness for any particular purpose; merchantability; and special, incidental, indirect or consequential damages) or whether or not occasioned by SELLER'S negligence.

SELLER disclaims any warranty and expressly disclaims any liability for personal injury or damages related to BUYER'S use of the PRODUCT. BUYER acknowledges and agrees that the disclaimer of any liability for personal injury is a material term for this agreement and BUYER agrees to indemnify SELLER and hold SELLER harmless from any claim related to the PRODUCT and its use or performance. Under no circumstances will SELLER be liable for any damages, liabilities, costs or expenses incurred as a result of or by reason of use, performance or sale of the PRODUCT, including without limitation, any damages, liabilities, costs or expenses incurred by reason of BUYER'S negligence related to those uses of the PRODUCT.

The proper installation of the PRODUCT is the sole responsibility of the BUYER. The SELLER assumes no liability regarding improper installation or misapplication of the PRODUCT.

SELLER hereby provides the following limited warranty as to description, quality, merchantability, fitness for the PRODUCT'S purpose, productiveness, or any other matter of SELLER'S PRODUCT sold herewith. The SELLER shall be in no way responsible for the open use and service of the PRODUCT and the BUYER hereby waives all

rights other than those expressly written herein. This Warranty shall not be extended or varied except by a written instrument signed by SELLER and BUYER.

IN THE EVENT THAT THE BUYER DOES NOT AGREE WITH THIS AGREEMENT, THE BUYER MAY PROMPTLY RETURN THE PRODUCT, IN A NEW AND UNUSED CONDITION, WITH A DATED PROOF OF PURCHASE, TO THE PLACE OF PURCHASE WITHIN THIRTY (30) DAYS FROM THE DATE OF PURCHASE FOR A FULL REFUND. THE BUYER AGREES THAT THE INSTALLATION OF THIS PRODUCT CONFIRMS THE BUYER HAS READ AND UNDERSTANDS THIS AGREEMENT AND ACCEPTS THE TERMS AND CONDITIONS OF THIS AGREEMENT.