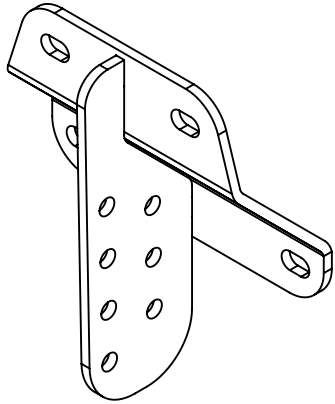
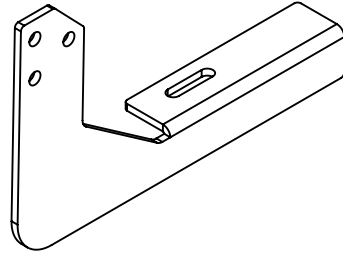


GH-25006  
 FITS F150 (2015 THRU 2025), F250 & F350 STD CAB (2017 THRU 2025)

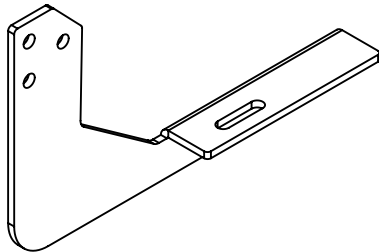
| DET | REV | PartNo | DESCRIPTION                                     | QTY |
|-----|-----|--------|---|-----|
| 1   | B   | 104078 | ASSY - RUNNING BOARD - 54in                     | 2   |
| 2   | B   | 103709 | ASSY - UPPER MOUNT BRACKET - FORD               | 4   |
| 3   | C   | 103712 | PLATE - LOWER - BRACKET - RS - FORD             | 2   |
| 4   | C   | 103713 | PLATE - LOWER - BRACKET - CS - FORD             | 2   |
| 5   | G   | 103584 | BRACKET - RUNNING BOARD - INNER                 | 4   |
| 6   | A   | 00377  | WASHER - ST - 8MM - SPLIT                       | 12  |
| 7   | A   | 00379  | NUT - ST - M8 X 1.25MM                          | 12  |
| 8   | A   | 00390  | BOLT - SS - .313-18 X .750 - FULL THREAD        | 16  |
| 9   | A   | 00391  | NUT - GR C ZINC - .313-18 - DIST THREAD LOCKING | 16  |
| 10  | C   | 103819 | MOUNT - LOGO - PUSH IN - MOLDED                 | 2   |
| 11  | A   | 901110 | STICKER - DOME - GEN Y LOGO                     | 2   |



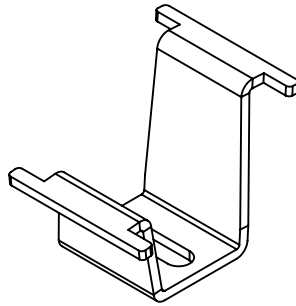
DETAIL 2



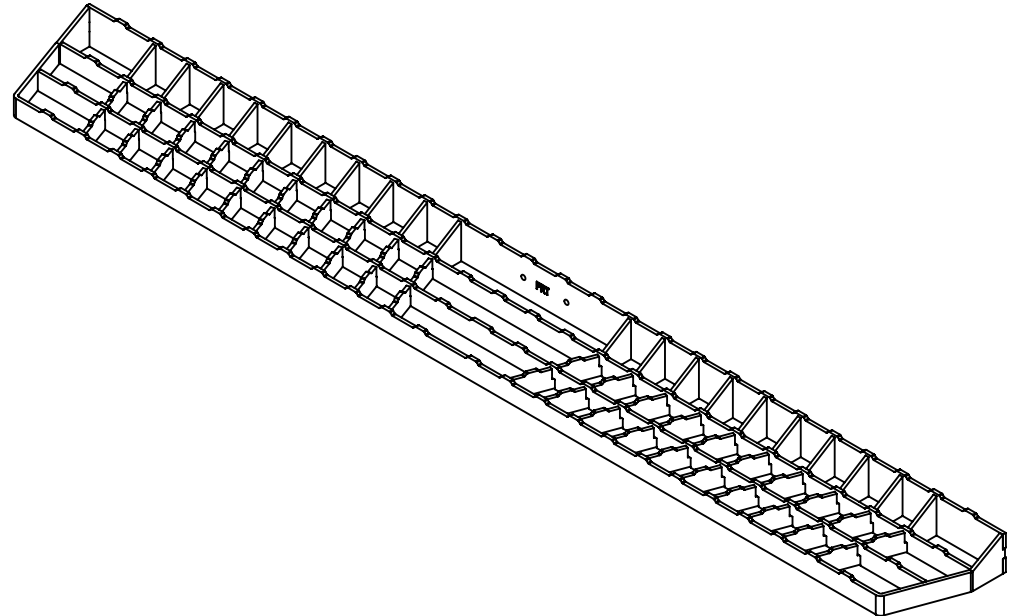
DETAIL 4



DETAIL 3



DETAIL 5



DETAIL 1

| TOOLS NEEDED  |
|---------------|
| 1/2" SOCKET   |
| 1/2" WRENCH   |
| 13mm SOCKET   |
| 13mm WRENCH   |
| RATCHET       |
| TORQUE WRENCH |

**PROPRIETARY AND CONFIDENTIAL**  
 THE INFORMATION CONTAINED IN THIS DRAWING IS THE SOLE PROPERTY OF GEN-Y GROUP. ANY REPRODUCTION IN PART OR AS A WHOLE WITHOUT THE WRITTEN PERMISSION OF GEN-Y GROUP IS STRICTLY PROHIBITED.  
 E-MAIL mike@genyhitch.com

| A    | PRODUCTION RELEASE         | 4/28/25 | LJS               |         |
|------|----------------------------|---------|-------------------|---------|
| REV. | DESCRIPTION                | DATE    | DRW               | CHK     |
|      | DIMENSIONS ARE IN INCHES   |         | NAME              | DATE    |
|      | TOLERANCES:                |         | DRAWN             | 4/28/25 |
|      | ANGULAR: MACH ± 1.0        |         | CHECKED           | .       |
|      | TWO PLACE DECIMAL ± .03    |         | AREA              | .       |
|      | THREE PLACE DECIMAL ± .015 |         | PERIMETER         | .       |
|      | Material                   |         | GEN-Y HITCH       |         |
|      | Material <not specified>   |         | NAPPANEE IN       |         |
|      | FINISH                     |         | TRACKING PART NO: |         |
|      | N/A                        |         | .                 |         |
|      | DO NOT SCALE DRAWING       |         | .                 |         |

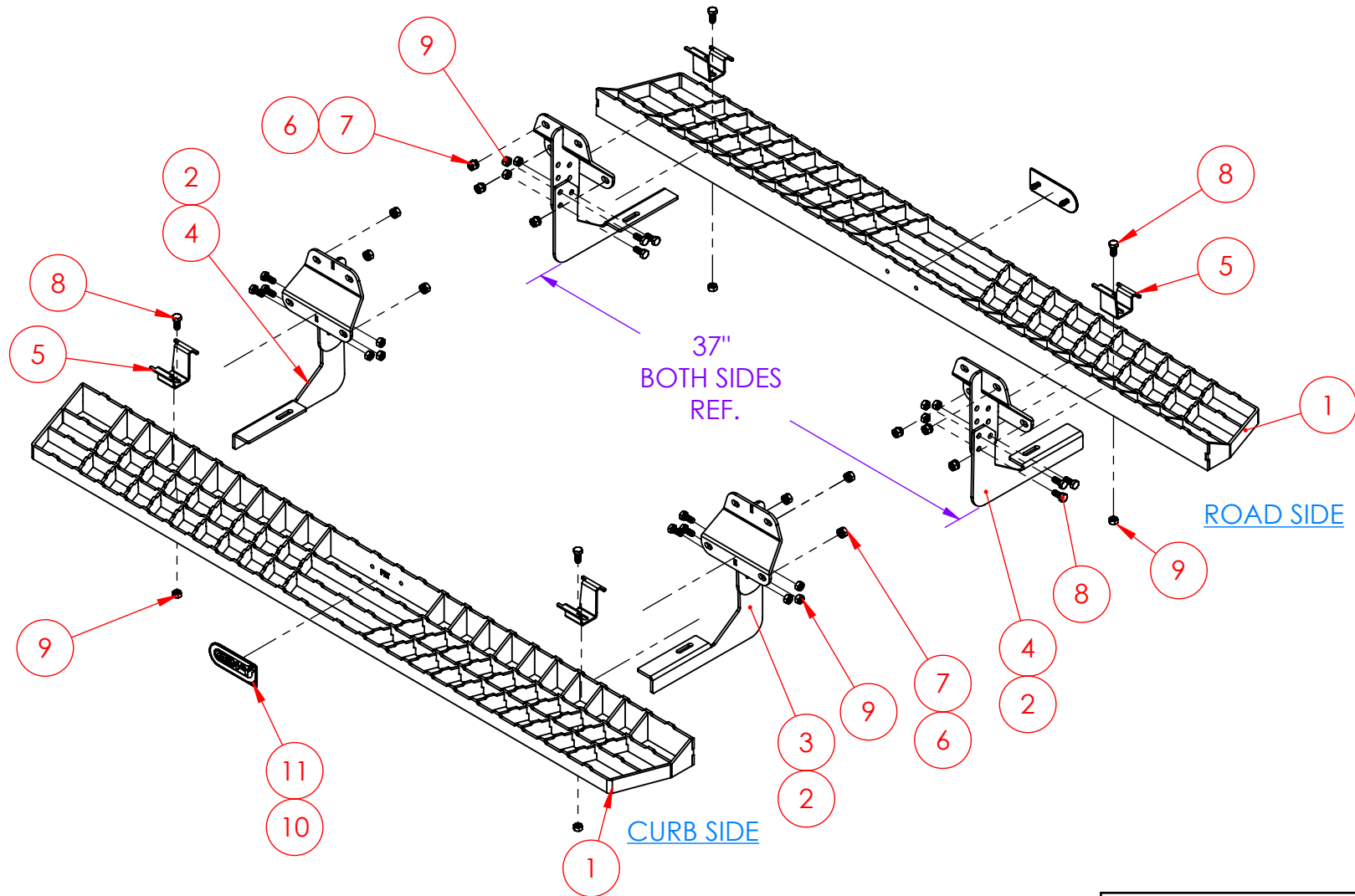


**DESCRIPTION**  
 MAIN ASSY - RUNNING BOARD - RS & CS - F150 - (2015 THRU 2025), F250 & F350 STD CAB - (2017 THRU 2025)

|      |          |      |
|------|----------|------|
| SIZE | DWG. NO. | REV. |
| A    | GH-25006 | A    |

SCALE: 1:24    WEIGHT: 55.791 FT/LB    SHEET 1 OF 3

GH-25006  
 FITS F150 (2015 THRU 2025), F250 & F350 STD CAB (2017 THRU 2025)



**PROPRIETARY AND CONFIDENTIAL**  
 THE INFORMATION CONTAINED IN THIS DRAWING IS THE SOLE PROPERTY OF GEN-Y GROUP. ANY REPRODUCTION IN PART OR AS A WHOLE WITHOUT THE WRITTEN PERMISSION OF GEN-Y GROUP IS STRICTLY PROHIBITED.  
 E-MAIL: mike@genyhitch.com

|                          |                          |
|--------------------------|--------------------------|
| DIMENSIONS ARE IN INCHES |                          |
| TOLERANCES:              |                          |
| ANGULAR: MACH            | ± 1.0                    |
| TWO PLACE DECIMAL        | ± .03                    |
| THREE PLACE DECIMAL      | ± .015                   |
| Material                 | Material <not specified> |
| FINISH                   | N/A                      |
| DO NOT SCALE DRAWING     |                          |

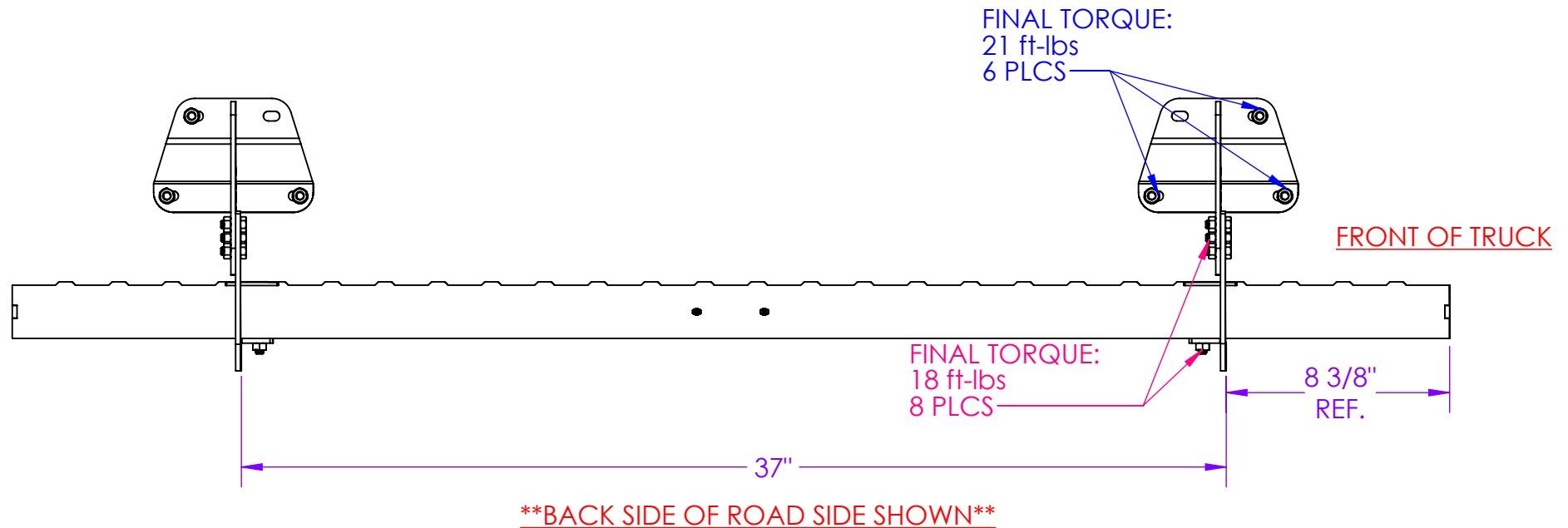
|                   | NAME                       | DATE    |
|-------------------|----------------------------|---------|
| DRAWN             | LJS                        | 4/28/25 |
| CHECKED           | .                          | .       |
| AREA              | .                          | .       |
| PERIMETER         | .                          | .       |
| TRACKING PART NO: | GEN-Y HITCH<br>NAPPANEE IN |         |



|   |                      |              |
|---|----------------------|--------------|
| DESCRIPTION   |                      |              |
| MAIN ASSY - RUNNING BOARD - RS & CS - F150 - (2015 THRU 2025), F250 & F350 STD CAB - (2017 THRU 2025) |                      |              |
| SIZE  | DWG. NO.             | REV.         |
| A   | GH-25006             | A            |
| SCALE: 1:24   | WEIGHT: 55.791 FT/LB | SHEET 2 OF 3 |

GH-25006  
 FITS F150 (2015 THRU 2025), F250 & F350 STD CAB (2017 THRU 2025)


- STEP 1 -  
 LOOSELY INSTALL ALL BRACKETS, RUNNING BOARD & HARDWARE.
- STEP 2 -  
 INSURE RUNNING BOARD & BRACKETS ARE PROPERLY ALIGNED THEN TORQUE HARDWARE TO SPECIFICATIONS BELOW.



**PROPRIETARY AND CONFIDENTIAL**  
 THE INFORMATION CONTAINED IN THIS DRAWING IS THE SOLE PROPERTY OF GEN-Y GROUP. ANY REPRODUCTION IN PART OR AS A WHOLE WITHOUT THE WRITTEN PERMISSION OF GEN-Y GROUP IS STRICTLY PROHIBITED.  
 E-MAIL: mike@genyhitch.com

|                            |                          |
|----------------------------|--------------------------|
| DIMENSIONS ARE IN INCHES   |                          |
| TOLERANCES:                |                          |
| ANGULAR: MACH ± 1.0        |                          |
| TWO PLACE DECIMAL ± .03    |                          |
| THREE PLACE DECIMAL ± .015 |                          |
| Material                   | Material <not specified> |
| FINISH                     | N/A                      |
| DO NOT SCALE DRAWING       |                          |

|                   | NAME                               | DATE    |
|-------------------|------------------------------------|---------|
| DRAWN             | LJS                                | 4/28/25 |
| CHECKED           | .                                  | .       |
| AREA              | .                                  |         |
| PERIMETER         | .                                  |         |
| TRACKING PART NO: |                                    |         |
|                   | <b>GEN-Y HITCH<br/>NAPPANEE IN</b> |         |



**DESCRIPTION**  
 MAIN ASSY - RUNNING BOARD - RS & CS -  
 F150 - (2015 THRU 2025),  
 F250 & F350 STD CAB - (2017 THRU 2025)

|             |                      |              |
|-------------|----------------------|--------------|
| SIZE        | DWG. NO.             | REV.         |
| <b>A</b>    | <b>GH-25006</b>      | <b>A</b>     |
| SCALE: 1:12 | WEIGHT: 27.896 FT/LB | SHEET 3 OF 3 |