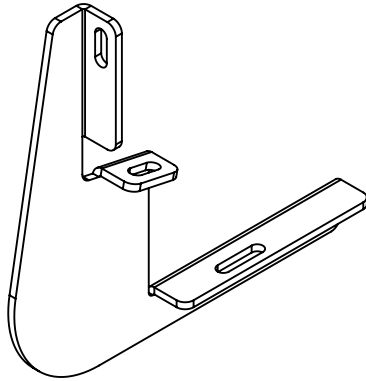
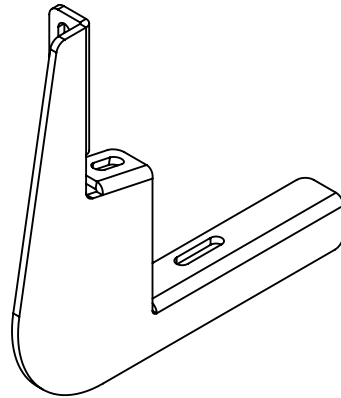


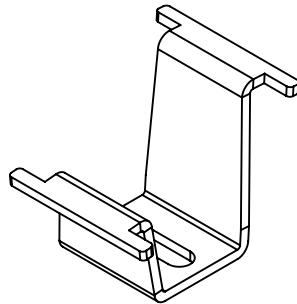
**GH-25007**  
**FITS GM 2500 & 3500 STD CAB (2020 THRU 2025)**



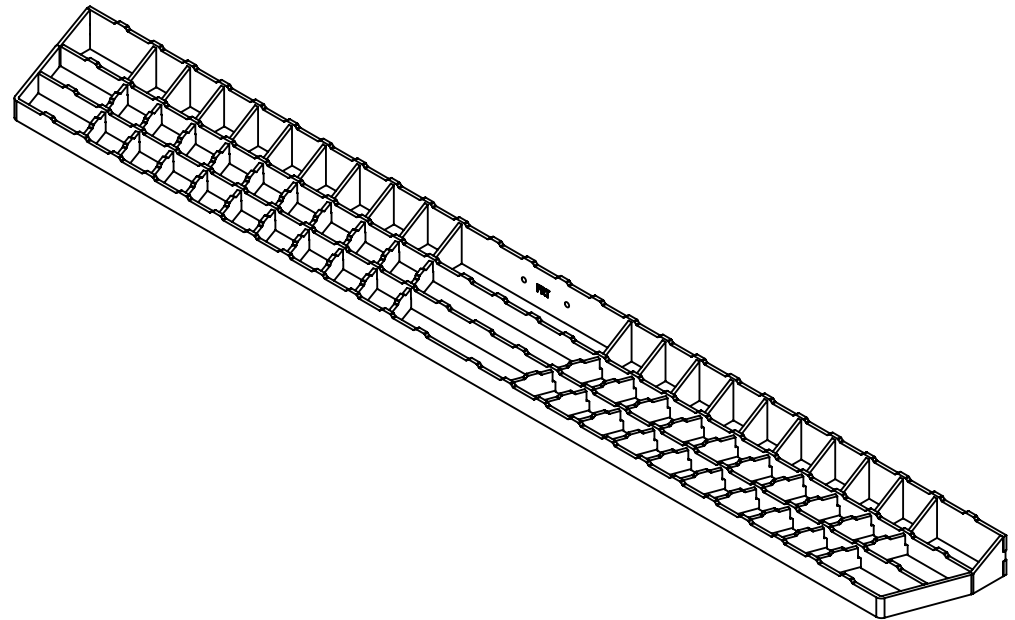
DETAIL 3



DETAIL 2



DETAIL 7



DETAIL 1

DET	REV	PartNo	DESCRIPTION	QTY
1	B	104078	ASSY - RUNNING BOARD - 54in	2
2	D	102972	BRACKET - RS - 3500HD	2
3	C	102973	BRACKET - CS - 3500HD	2
4	A	00376	BOLT - ST - M8 X 30MM - ISO 8.8	8
5	A	00377	WASHER - ST - 8MM - SPLIT	8
6	A	00378	WASHER - ST - 8MM	8
7	G	103584	BRACKET - RUNNING BOARD - INNER	4
8	A	00390	BOLT - SS - .313-18 X .750 - FULL THREAD	4
9	A	00391	NUT - GR C ZINC - .313-18 - DIST THREAD LOCKING	4
10	C	103819	MOUNT - LOGO - PUSH IN - MOLDED	2
11	A	901110	STICKER - DOME - GEN Y LOGO	2

TOOLS NEEDED
1/2" SOCKET
1/2" WRENCH
13mm SOCKET
13mm WRENCH
RATCHET
TORQUE WRENCH

**PROPRIETARY AND CONFIDENTIAL**  
 THE INFORMATION CONTAINED IN THIS DRAWING IS THE SOLE PROPERTY OF GEN-Y GROUP. ANY REPRODUCTION IN PART OR AS A WHOLE WITHOUT THE WRITTEN PERMISSION OF GEN-Y GROUP IS STRICTLY PROHIBITED.  
 E-MAIL: mike@genyhitch.com

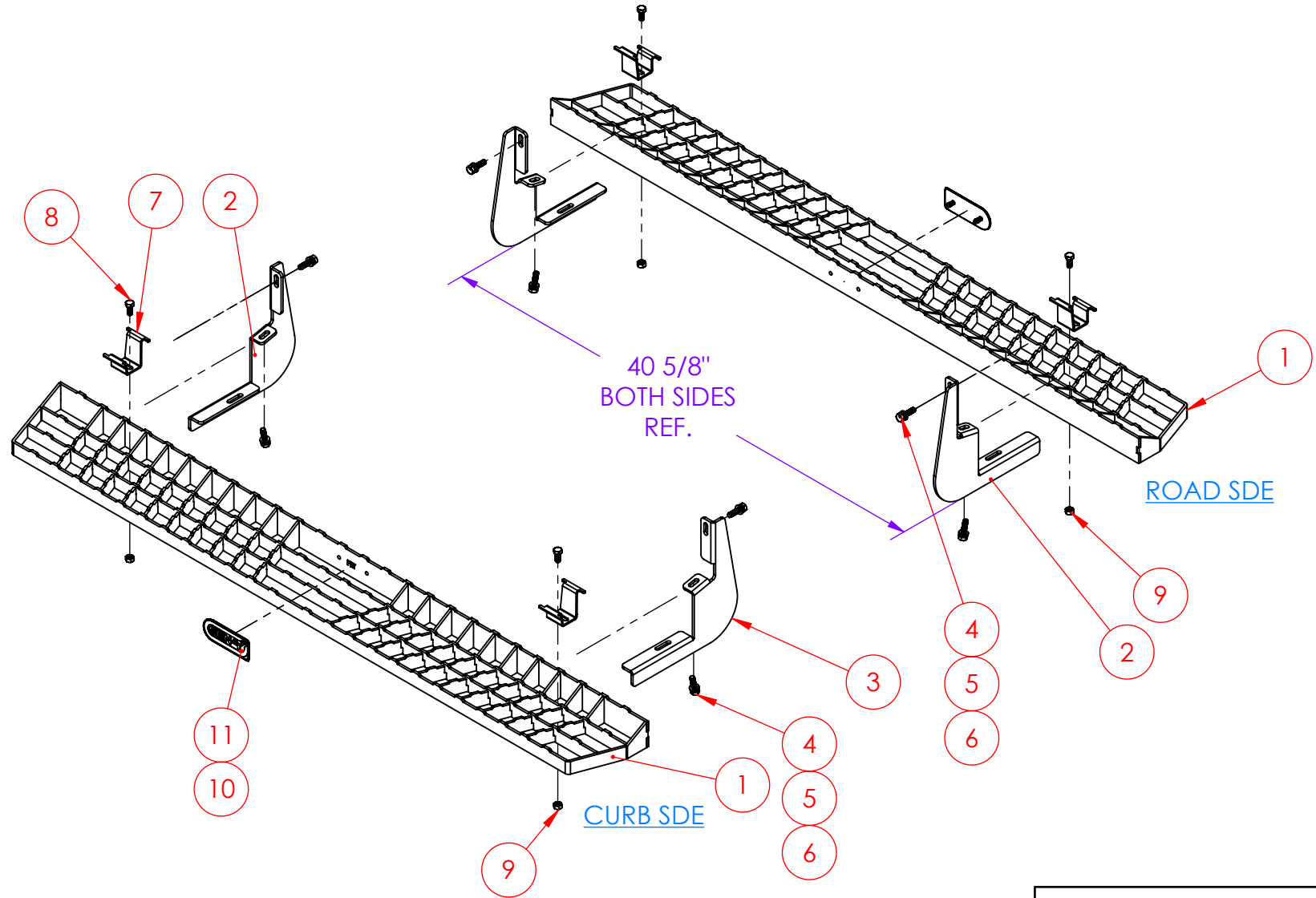
A	PRODUCTION RELEASE	4/28/25	LJS	
REV.	DESCRIPTION	DATE	DRW	CHK
	DIMENSIONS ARE IN INCHES		NAME	DATE
	TOLERANCES:		DRAWN	4/28/25
	ANGULAR: MACH ± 1.0		CHECKED	.
	TWO PLACE DECIMAL ± .03		AREA	.
	THREE PLACE DECIMAL ± .015		PERIMETER	.
	Material <not specified>		GEN-Y HITCH NAPPANEE IN	
	FINISH N/A		TRACKING PART NO:	
	DO NOT SCALE DRAWING		.	



**DESCRIPTION**  
**MAIN ASSY - RUNNING BOARD - RS & CS - GM 2500 & 3500 STD CAB - (2020 THRU 2025)**

SIZE	DWG. NO.	REV.
<b>A</b>	<b>GH-25007</b>	<b>A</b>
SCALE: 1:24	WEIGHT: 50.858 FT/LB	SHEET 1 OF 3

GH-25007  
 FITS GM 2500 & 3500 STD CAB (2020 THRU 2025)



**PROPRIETARY AND CONFIDENTIAL**  
 THE INFORMATION CONTAINED IN THIS DRAWING IS THE SOLE PROPERTY OF GEN-Y GROUP. ANY REPRODUCTION IN PART OR AS A WHOLE WITHOUT THE WRITTEN PERMISSION OF GEN-Y GROUP IS STRICTLY PROHIBITED.  
 E-MAIL: mike@genyhitch.com

DIMENSIONS ARE IN INCHES	
TOLERANCES:	
ANGULAR:	MACH ± 1.0
TWO PLACE DECIMAL	± .03
THREE PLACE DECIMAL	± .015
Material	Material <not specified>
FINISH	N/A
DO NOT SCALE DRAWING	

	NAME	DATE
DRAWN	LJS	4/28/25
CHECKED	.	.
AREA	.	.
PERIMETER	.	.
TRACKING PART NO:		GEN-Y HITCH NAPPANEE IN

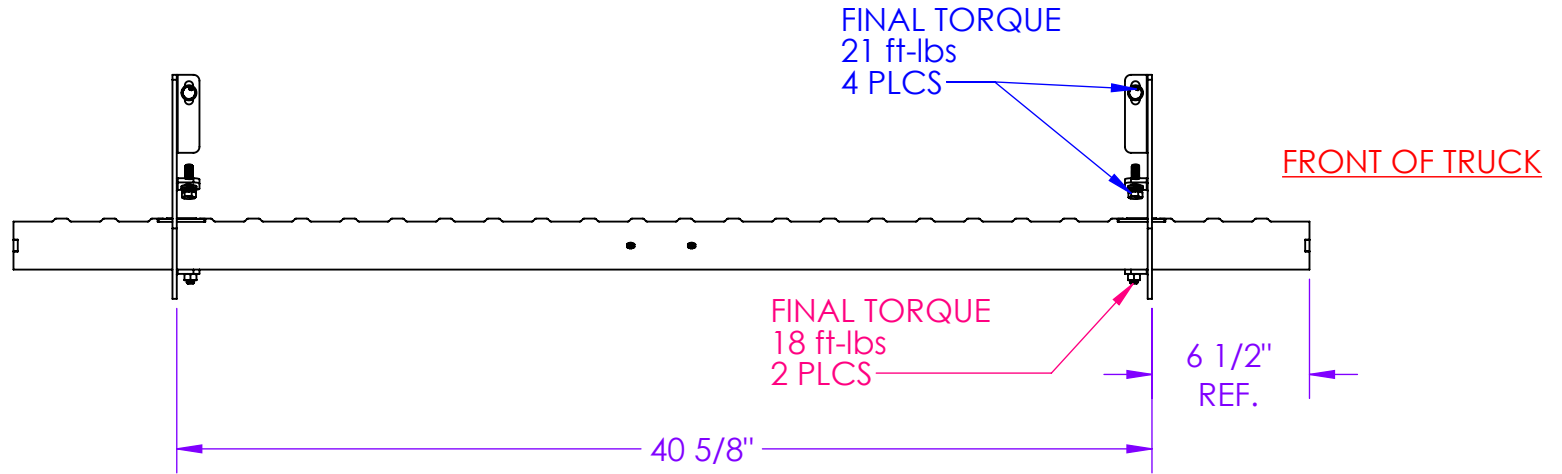


**DESCRIPTION**  
 MAIN ASSY - RUNNING BOARD - RS & CS -  
 GM 2500 & 3500 STD CAB - (2020 THRU 2025)

SIZE	DWG. NO.	REV.
A	GH-25007	A
SCALE: 1:24	WEIGHT: 50.858 FT/LB	SHEET 2 OF 3

GH-25007  
 FITS GM 2500 & 3500 STD CAB (2020 THRU 2025)

- STEP 1 -  
 LOOSELY INSTALL ALL BRACKETS, RUNNING BOARDS & HARDWARE  
 STEP 2 -  
 INSURE RUNNING BOARD & BRACKETS ARE PROPERLY ALIGNED THEN TORQUE HARDWARE



**\*\*BACK SIDE OF ROAD SIDE SHOWN\*\***

<b>GEN-Y HITCH</b>		
DESCRIPTION <b>MAIN ASSY - RUNNING BOARD - RS &amp; CS - GM 2500 &amp; 3500 STD CAB - (2020 THRU 2025)</b>		
SIZE <b>A</b>	DWG. NO. <b>GH-25007</b>	REV. <b>A</b>
SCALE: 1:24	WEIGHT: 25.429 FT/LB	SHEET 3 OF 3

<b>PROPRIETARY AND CONFIDENTIAL</b> THE INFORMATION CONTAINED IN THIS DRAWING IS THE SOLE PROPERTY OF GEN-Y GROUP. ANY REPRODUCTION IN PART OR AS A WHOLE WITHOUT THE WRITTEN PERMISSION OF GEN-Y GROUP IS STRICTLY PROHIBITED. E-MAIL: mike@genyhitch.com	DIMENSIONS ARE IN INCHES		NAME	DATE	
	TOLERANCES:		DRAWN	LJS	4/28/25
	ANGULAR: MACH ± 1.0		CHECKED	.	.
	TWO PLACE DECIMAL ± .03		AREA	.	
	THREE PLACE DECIMAL ± .015		PERIMETER	.	
Material	Material <not specified>		<b>GEN-Y HITCH NAPPANEE IN</b>		
FINISH	N/A				
DO NOT SCALE DRAWING		TRACKING PART NO:		.	