

PLEASE READ BEFORE STARTING INSTALLATION

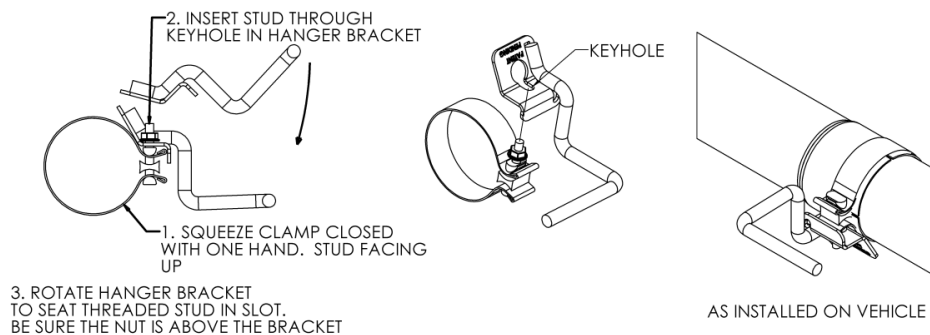
MBRP Inc. has made every effort to ensure that all components of this system are of superior quality and properly packaged. It is the installer's responsibility to ensure that all components are present and fit together as shown. Please also ensure that all components are undamaged before removal of the factory exhaust. Finally, check that this system properly matches the make and model of the vehicle and will not interfere with previous or planned modifications.

Removal of stock system:

1. Apply a penetrating lubricant liberally to all exhaust fasteners, hangers and rubber insulators.
2. Remove the exhaust system from the rubber insulators and remove all the clamps from the catalytic converter reward.
3. Separate the slip joint behind the muffler and remove the tail pipe. Then separate the slip joint located behind the catalytic converter and remove the muffler and extension pipe.

Installation of MBRP Ltd. Performance Exhaust:

1. Install the **Extension Pipe** onto the catalytic converter using a **4" Band Clamp**. The **Extension Pipe** will require cutting to accommodate vehicles other than the Quad Cab long bed or Mega Cab truck. (**Installation tip:** Temporarily hang the Muffler in place using the three OEM rubber hangers and measure from the Muffler to the catalytic converter to determine the length required.)
2. Install the **Hang Tight™ Hanger** onto a **4" Band Clamp** using the procedure shown below. (Hang Tight™ Hanger not exactly as shown).





3. Install the **Muffler** onto the **Extension Pipe** using a **Hang Tight™ Hanger** clamp assembly. Install the **Hang Tight™ Hanger** into the OEM rubber insulator located on the frame near the inlet of the **Muffler**.
4. Install the **Muffler** hangers into the two OEM rubber insulators located above the outlet of the **Muffler**.
5. Install the **Hang Tight™ Hanger** onto the **4" Band Clamp** using the procedure shown on Page 1. (Hang Tight™ Hanger not exactly as shown).
6. Install **Hang Tight™ Hanger** clamp assembly onto the **Tail Pipe** and then Install the **Tail Pipe** onto the **Over Axle Pipe**. Install the assembly from the rear of the truck, over the axle and attach to the outlet of the **Muffler** using **4" Band Clamp**. Finish hanging the **Tail Pipe** by reattaching the rubber insulator.
7. Align the edge of each band clamp with the edge of the joint it is connecting. Tighten all hardware and clamps, starting at the front and working rearward to secure the system. Check along the full length of the exhaust system to ensure there is adequate clearance for fuel lines, vent lines, brake lines, frame, bodywork, suspension, and any wiring, etc. If there is any interference detected, relocate, or adjust to provide adequate clearance. Ensure all clamp connections are secure and components are unable to rotate or slide. Band clamps require approximately 45 lb-ft (60 N-m) of torque. Verify clearances, system security and band clamp torque after 30-60 miles (50-100 km) of driving.

Congratulations! You are ready to begin enjoying the improved performance and driving experience of your MBRP Ltd. performance exhaust system. We hope you enjoy your purchase.