

PART NUMBER

SSR-211-40/47/54



BEFORE YOU BEGIN

PRIMARY APPLICATIONS

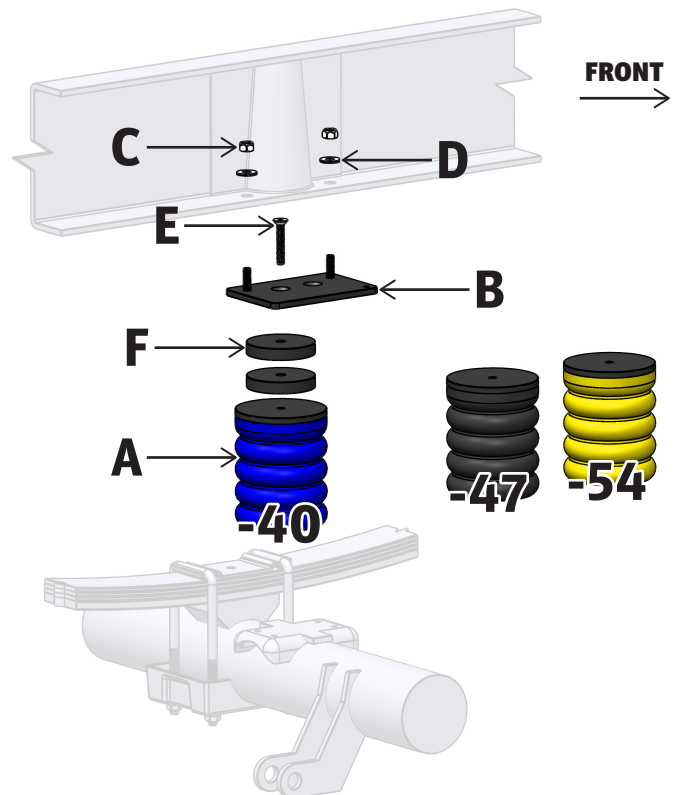
- > Chevrolet Silverado 2500 4 X 2 & 4 X 4 (2001 - 2004)
- > Chevrolet Silverado 2500 HD 4 X 2 & 4 X 4 (2001 - 2010)
- > Chevrolet Silverado 2500 HD Classic 4 X 2 & 4 X 4 (2007)
- > Chevrolet Silverado 3500 4 X 2 & 4 X 4 (2001 - 2006)
- > Chevrolet Silverado 3500 Classic 4 X 2 & 4 X 4 (2007)
- > Chevrolet Silverado 3500 HD 4 X 2 & 4 X 4 (2007 - 2010)
- > GMC Sierra 2500 4 X 2 & 4 X 4 (2001 - 2004)
- > GMC Sierra 2500 HD 4 X 2 & 4 X 4 (2001 - 2010)
- > GMC Sierra 2500 HD Classic 4 X 2 & 4 X 4 (2007)
- > GMC Sierra 3500 4 X 2 & 4 X 4 (2001 - 2006)
- > GMC Sierra 3500 Classic 4 X 2 & 4 X 4 (2007)
- > GMC Sierra 3500 HD 4 X 2 & 4 X 4 (2007 - 2010)

TOOLS REQUIRED

- > Floor Jack
- > Jack Stands
- > Wheel Chocks
- > Wrench
- > 5mm Allen Wrench

PARTS LIST

Item	Part #	Description	QTY
A	511440	SumoSprings Blue -40	2
	511421	SumoSprings Black -47	
	511432	SumoSprings Yellow -54	
B	512022	Mounting Bracket	2
C	512235	M8 Top Lock Nut	4
D	512244	5/16 Flat Washer	4
E	512290	M8 x 50mm FHCS	2
F	512116	½" Spacer	4



DRIVER SIDE (PASSENGER SIDE SIMILAR)

Part Number: SSR-211-40/47/54

Product Line: SUMOSPRINGS REAR

Page 1

SuperSprings International, Inc.
505 Maple Avenue
Carpinteria, CA 93013

Installation Support
+1 (800) 898-0705
support@superspringsint.com

superspringsint.com

SAFETY NOTICE: We recommend installation be done by a professional or persons with sound mechanical knowledge.

WARNING: These instructions are a general guide for installation. SuperSprings International (SSI) assumes no liability for the actual installation process. Consumers and installers should apply common automotive safety practices when raising and working on any vehicle. **Do not put yourself in a position where, if the vehicle were to move unexpectedly, you may be injured.** SSI's products are designed to improve vehicle ride quality. Do not load any vehicle beyond the manufacturer's specifications.

Never exceed the manufacturer's Gross Vehicle Rating (GVWR) located on your vehicles identification tag.

BEFORE INSTALLATION: Ensure the vehicle is on a hard level surface, the parking brake is ON, with the ignition OFF, and place chocks in front of and behind the tires to prevent the vehicle from moving.

DURING AND/OR AFTER INSTALLATION: Ensure emergency brake cables are not touching the SSI products. Secure any cables out of the way with zip ties or by re-routing. Ensure all A/C lines, brake cables, and frame are clear of contact or interference.

REV. 2.0 | JAN 2023

PART NUMBER

SSR-211-40/47/54



IMPORTANT NOTICE: Your part may have been loosely preassembled to show the final product as it will be once installed on your vehicle. Please disassemble the product before proceeding to the installation.

INSTALLATION

1. Park the vehicle on a hard, level surface and engage the emergency brake. Place chocks in front and behind wheels to prevent rolling. Observe all safety precautions and wear safety glasses.
2. Raise the rear of the vehicle allowing the axle to hang freely and rest the frame on the safety jack stands rated for the weight of the vehicle. Removal of the rear wheels is optional.
3. Starting on the driver side, remove the existing factory bump stops from the underside of the frame.
4. Add a drop of Blue Thread Locker to the threads of the M8 x 50mm FHCS [ITEM E] and secure the SumoSprings [ITEM A] and two ½" Spacers [ITEM F] to the Mounting Bracket [ITEM B] using an Allen wrench.
5. Position the Mounting Bracket [ITEM B] with the SumoSprings [ITEM A] offset to the rear of the vehicle. Attach the completed assembly to the frame and secure it in place with the M8 Top Lock Nuts [ITEM C] and 5/16 Flat Washers [ITEM D].
6. Repeat steps 3 through 5 on the passenger side of the vehicle.
7. Raise the vehicle, remove safety jack stands, and carefully lower vehicle to the hard surface. Remove the chocks in front and back of the rear wheels.
8. Register the warranty for your SuperSprings International part. A warranty card can be found in the box your part came in.

Part Number: SSR-211-40/47/54		Product Line: SUMOSPRINGS REAR		Page 2
<p>SuperSprings International, Inc. 505 Maple Avenue Carpinteria, CA 93013</p> <p>Installation Support +1 (800) 898-0705 support@superspringsint.com</p> <p>superspringsint.com</p>	<p>SAFETY NOTICE: We recommend installation be done by a professional or persons with sound mechanical knowledge.</p> <p>WARNING: These instructions are a general guide for installation. SuperSprings International (SSI) assumes no liability for the actual installation process. Consumers and installers should apply common automotive safety practices when raising and working on any vehicle. Do not put yourself in a position where, if the vehicle were to move unexpectedly, you may be injured. SSI's products are designed to improve vehicle ride quality. Do not load any vehicle beyond the manufacturer's specifications.</p>		<p>Never exceed the manufacturer's Gross Vehicle Rating (GVWR) located on your vehicles identification tag.</p> <p>BEFORE INSTALLATION: Ensure the vehicle is on a hard level surface, the parking brake is ON, with the ignition OFF, and place chocks in front of and behind the tires to prevent the vehicle from moving.</p> <p>DURING AND/OR AFTER INSTALLATION: Ensure emergency brake cables are not touching the SSI products. Secure any cables out of the way with zip ties or by re-routing. Ensure all A/C lines, brake cables, and frame are clear of contact or interference.</p>	
				REV. 2.0 JAN 2023